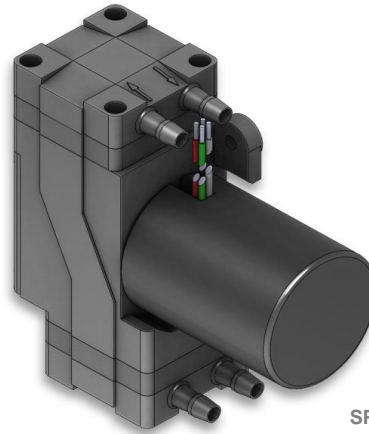


SP 620 EC-BL-DU



SP 622 EC-BL-DU

## We care.

Customised Pumps - No Additional Costs!

### Product Features

- Miniature diaphragm pump for gases
- Vacuum or pressure optimized pump design
- Use with two media or in serial or parallel operation
- High efficiency and available in common supply voltages
- Very durable brushless drives
- Low weight and small size
- Applicable for noise- and vibration-sensitive environments (i.e. hospitals, personal protection equipment, etc.)
- Installation in any mounting orientation allows simple device integration
- Leak-tight, oil-free and maintenance-free

### Application Examples

Particularly suitable for portable and stationary devices such as:

- Gas analysers
- Anaesthesia monitoring
- Auto samplers
- Dental vacuum pump
- Exhaust or flue gas analyzers
- Blood pressure monitoring
- Industrial pressure and vacuum
- Chromatography
- Pipetting devices

and many more...

### Customisation

- We offer your customised precision pump without additional costs - even for small batches
- Our modular concept allows easy adaptations
- Outstanding quality - Made in Germany
- Excellent technical consultation and service by experts
- More than 40 years experience in pump applications
- Manifold mounting
- Fast delivery - order your sample now!

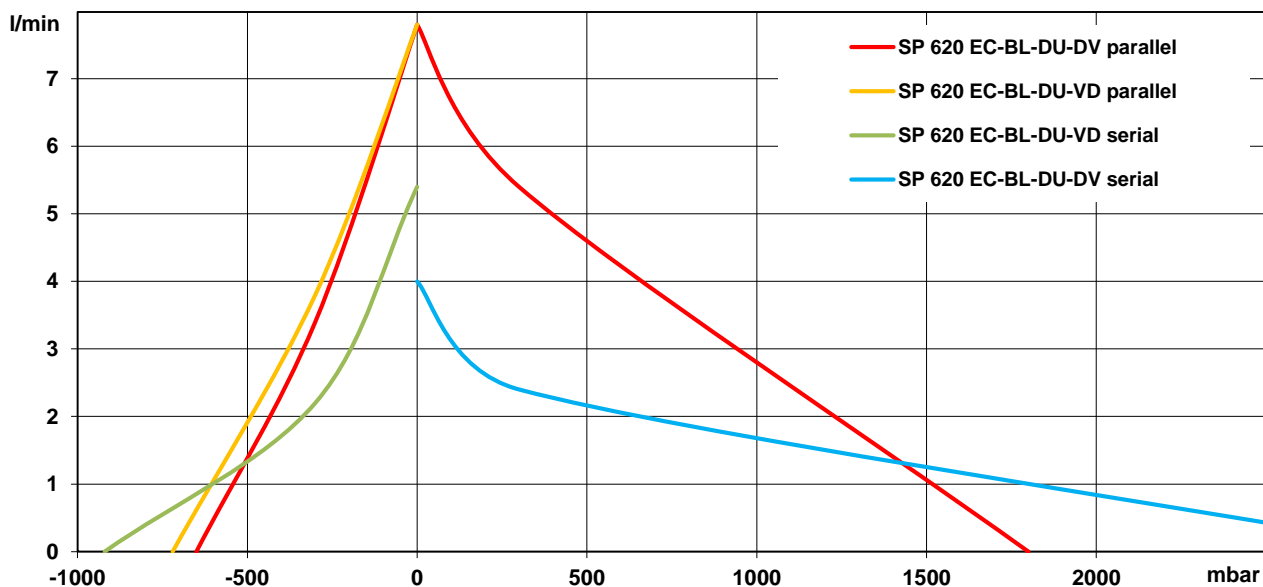


# SP 620 / 622 EC-BL-DU

The pumps listed below represent a typical selection of our wide range of eccentric pumps and are intended for initial tests. **Customised versions** for your individual application would be made without additional costs - please contact us! All flow values given under norm conditions (according to DIN 1343). Optional materials can cause deviating performance values.

Designation	SP 620 EC-BL-DU-DV				SP 620 EC-BL-DU-VD			
	serial		parallel		serial		parallel	
Operating Voltage [Vdc]	12	24	12	24	12	24	12	24
Art. No.	7s57215	7s57216	7s57261	7s57262	7s57263	7s57264	7s57265	7s57266
<b>Pneumatic Performance</b>								
Free Flow [l/min]	4.0		7.8		5.4		7.8	
<b>Pressure Side</b>								
Flow at 300 mbar [l/min]	2.4		5.4		-		-	
max. Pressure [mbar]	3000		1800		-		-	
<b>Vacuum Side</b>								
Flow at -300 mbar [l/min]	-		3.4		2.2		3.8	
max. Vacuum [mbar]	-		-650		-920		-720	
<b>Motor / Power Consumption</b>								
Standard Motor Type	brushless, analog control / ball bearings							
max. Nominal Current [mA]	850	550	850	550	850	550	850	550
Optional Motor Types	analog or PWM control or without internal electronics							
<b>Construction</b>								
Pump Head	standard	PPS						
	optional	Customer specific (upon request)						
Diaphragm, Valves	standard	EPDM						
	optional	FKM / FFKM / PTFE						
Tubing		PUR						
Weight [g]	315				315			

## Performance Curves



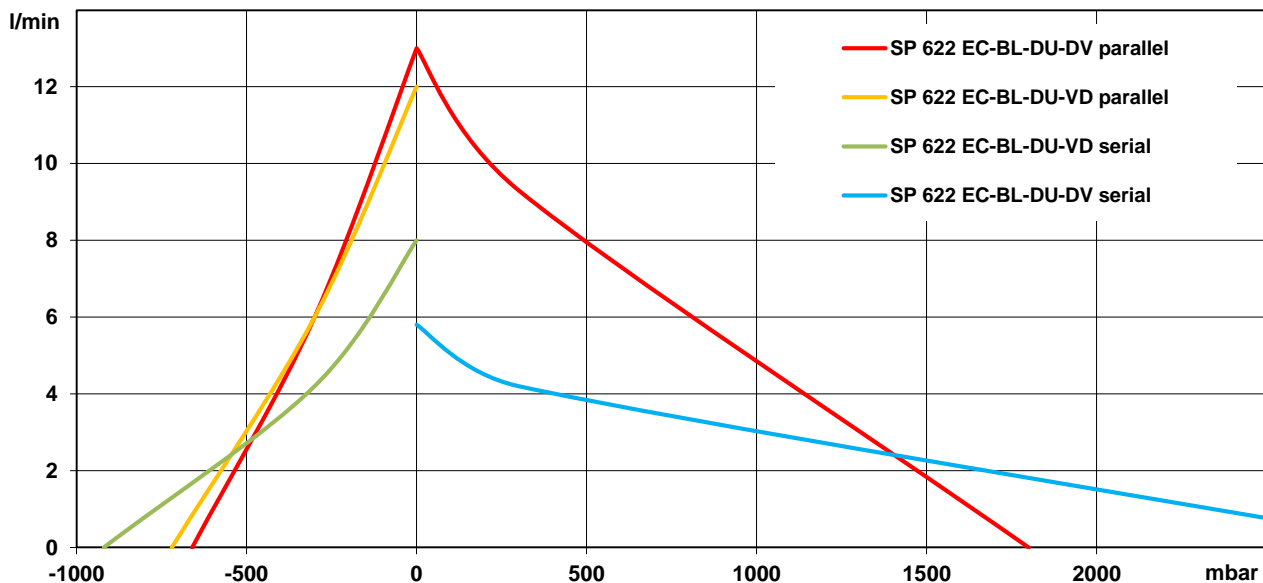


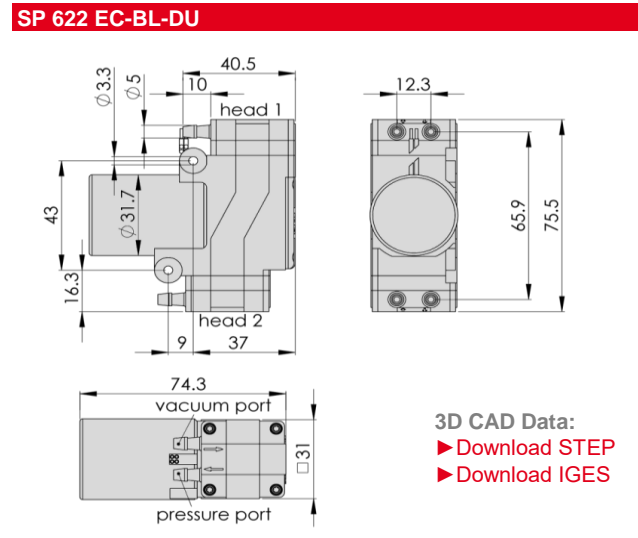
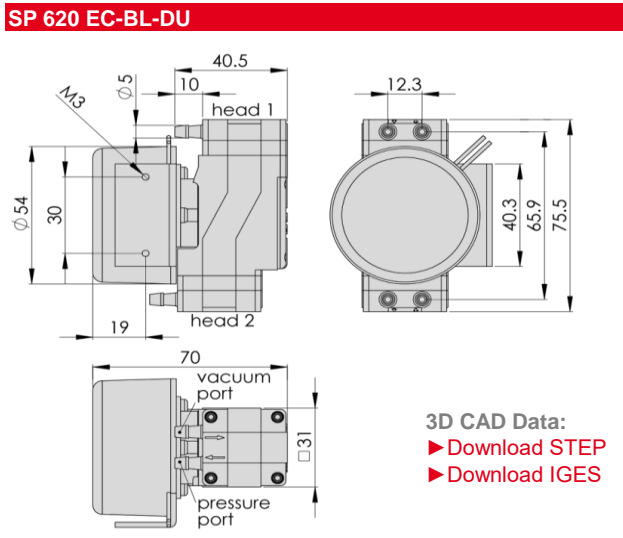
# SP 620 / 622 EC-BL-DU

The pumps listed below represent a typical selection of our wide range of eccentric pumps and are intended for initial tests. **Customised versions** for your individual application would be made without additional costs - please contact us! All flow values given under norm conditions (according to DIN 1343). Optional materials can cause deviating performance values.

Designation	SP 622 EC-BL-DU-DV				SP 622 EC-BL-DU-VD			
	serial		parallel		serial		parallel	
Operating Voltage [Vdc]	12	24	12	24	12	24	12	24
Art. No.	7s57217	7s57218	7s57093	7s57094	7s57125	7s57126	7s57090	7s57091
<b>Pneumatic Performance</b>								
Free Flow [l/min]	5.8		13.0		8.0		12.0	
<b>Pressure Side</b>								
Flow at 300 mbar [l/min]	4.2		9.3		-		-	
max. Pressure [mbar]	3000		1800		-		-	
<b>Vacuum Side</b>								
Flow at -300 mbar [l/min]	-		6.0		4.2		6.0	
max. Vacuum [mbar]	-		-660		-920		-720	
<b>Motor / Power Consumption</b>								
Standard Motor Type	brushless, analog or PWM control / ball bearings							
max. Nominal Current [mA]	1800	900	1650	870	1650	870	1650	870
Optional Motor Types	analog control or without internal electronics							
<b>Construction</b>								
Pump Head	standard	optional	PPS					
			Customer specific (upon request)					
Diaphragm, Valves	standard	optional	EPDM					
			FKM / FFKM / PTFE					
Tubing			PUR					
Weight [g]	203				203			

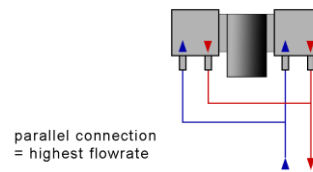
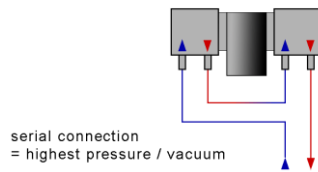
## Performance Curves





Standard: connection ports as shown  
Optional: 3 other port positions possible

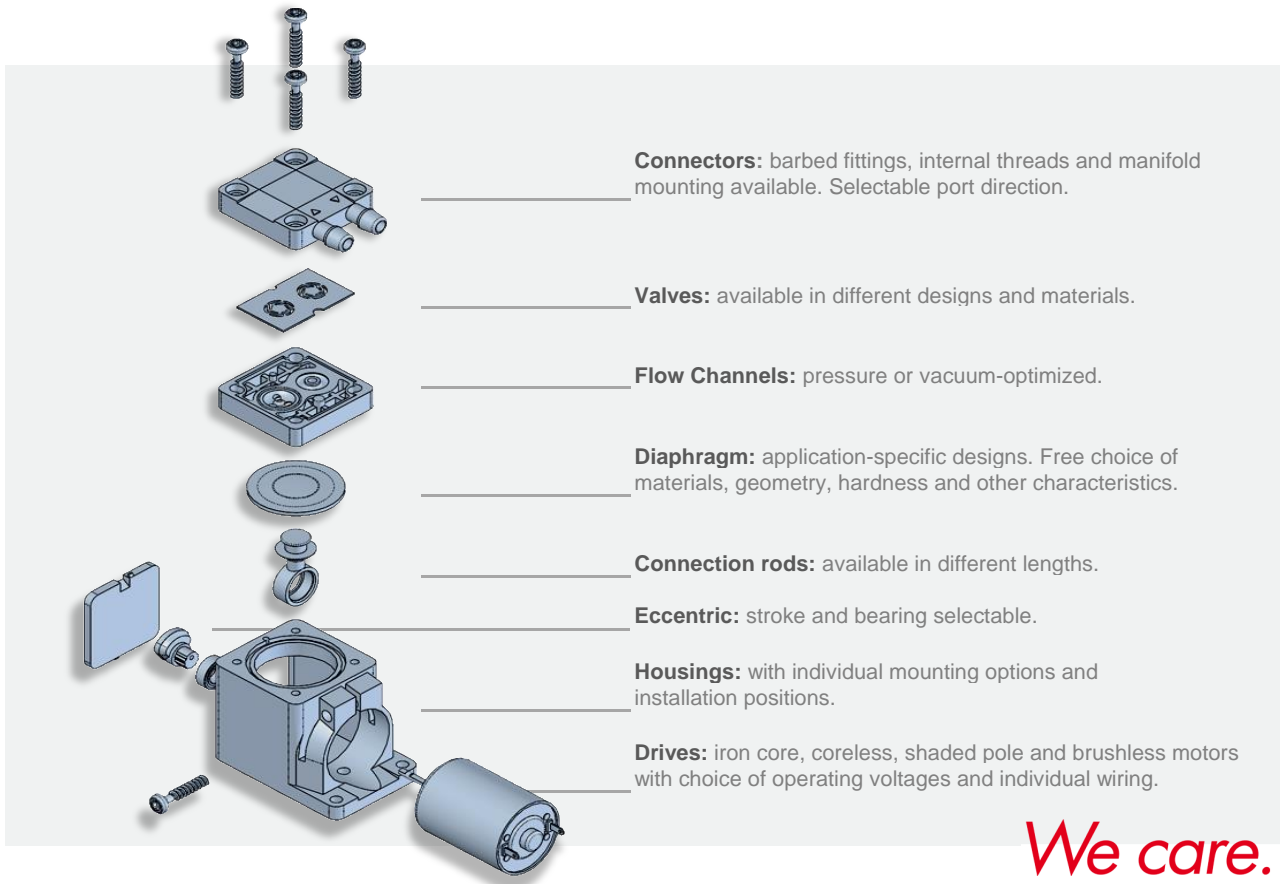
You can also download the 3D CAD data on the SP website:  
▶ [www.schwarzer.com/download](http://www.schwarzer.com/download)





### Customising Examples

Customising without compromises is extremely important to us. We develop precision pumps in direct collaboration with our customers - with all parameters exactly adapted to the respective application. Thanks to the modular pump design, this is done without added development-related costs! We develop the ideal pump for you. Uncompromising and reliable.



### Installation Notes

In order to minimise noise and vibration we recommend securing the pump in one of the following ways:

- with rubber mounting (see "Accessories")
- with padded double sided adhesive tape
- with Velcro (hook and loop) tape for easy assembly and service
- Put the pump in a box lined with foam. Motor wires and tubing for the pump can lead through a hole in the side of the box.

### Accessories

Schwarzer Precision offers a comprehensive portfolio of pump accessories such as:

- mountings
- silencers + filters
- electronics
- check valves + pressure switches

For further information please consider the accessories data sheet or contact us for technical consultation.

► [Download PDF "Accessories"](#)

You can also download the PDF "Accessories" on our website: ► [www.schwarzer.com/accessories](http://www.schwarzer.com/accessories)