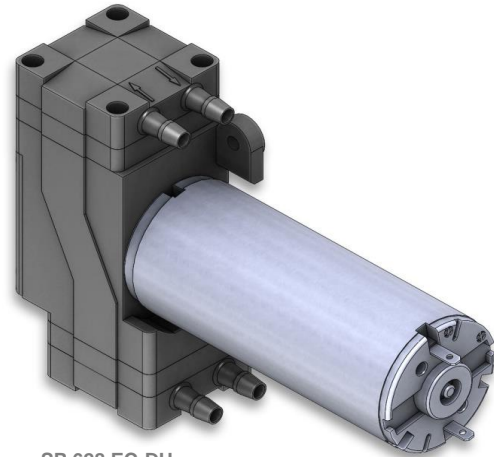
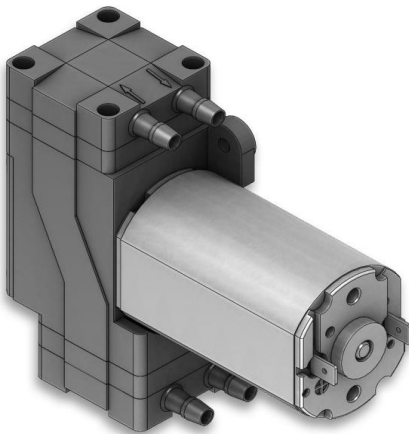


SP 620 EC-DU



SP 628 EC-DU



SP 625 EC-LC-DU

## We care.

Customised Pumps - No Additional Costs!

### Product Features

- Miniature diaphragm pump for gases
- Vacuum or pressure optimized pump design
- Use with two media or in serial or parallel operation
- High efficiency and available in common supply voltages
- From low-cost to durable drives
- Low weight and small size
- Applicable for noise- and vibration-sensitive environments (i.e. hospitals, personal protection equipment, etc.)
- Installation in any mounting orientation allows simple device integration
- Leak-tight, oil-free and maintenance-free

### Application Examples

Particularly suitable for portable and stationary devices such as:

- Gas analysers
- Anaesthesia monitoring
- Auto samplers
- Dental vacuum pump
- Exhaust or flue gas analyzers
- Blood pressure monitoring
- Industrial pressure and vacuum
- Chromatography
- Pipetting devices

and many more...

### Customisation

- We offer your customised precision pump without additional costs - even for small batches
- Our modular concept allows easy adaptations
- Outstanding quality - Made in Germany
- Excellent technical consultation and service by experts
- More than 40 years experience in pump applications
- Manifold mounting
- Fast delivery - order your sample now!

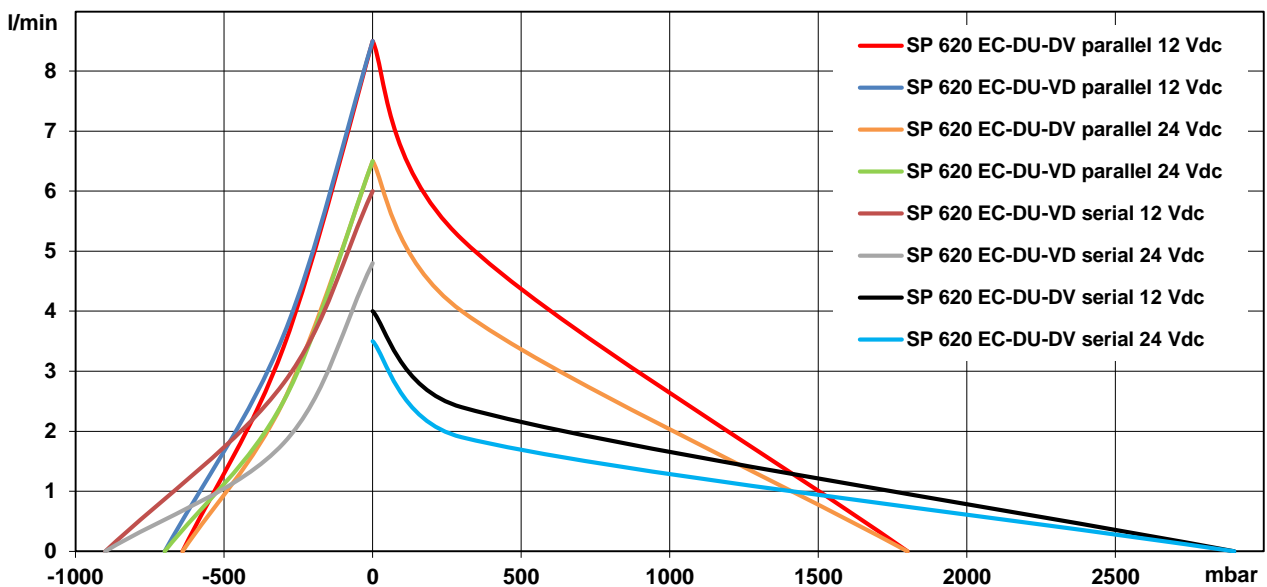


# SP 620 / 625 / 628 EC-DU

The pumps listed below represent a typical selection of our wide range of eccentric pumps and are intended for initial tests. **Customised versions** for your individual application would be made without additional costs - please contact us! All flow values given under norm conditions (according to DIN 1343). Optional materials can cause deviating performance values.

Designation	SP 620 EC-DU-DV				SP 620 EC-DU-VD			
	serial		parallel		serial		parallel	
Operating Voltage [Vdc]	12	24	12	24	12	24	12	24
Art. No.	7s57213	7s57214	7s57082	7s57083	7s57211	7s57212	7s57131	7s57132
<b>Pneumatic Performance</b>								
Free Flow [l/min]	4.0	3.5	8.5	6.5	6.0	4.8	8.5	6.5
<b>Pressure Side</b>								
Flow at 300 mbar [l/min]	2.4	1.9	5.2	4.0	-	-	-	-
max. Pressure [mbar]	2900	2900	1800	1800	-	-	-	-
<b>Vacuum Side</b>								
Flow at -300 mbar [l/min]	-	-	3.4	2.5	2.8	1.8	3.6	2.5
max. Vacuum [mbar]	-	-	-640	-640	-900	-900	-700	-700
<b>Motor / Power Consumption</b>								
Standard Motor Type	Iron core / ball bearings							
max. Nominal Current [mA]	980	510	900	490	900	490	900	490
Optional Motor Types	-							
<b>Construction</b>								
Pump Head	standard optional	PPS Customer specific (upon request)						
Diaphragm, Valves	standard optional	EPDM FKM / FFKM / PTFE						
Tubing	PUR							
Weight [g]	230				230			

## Performance Curves

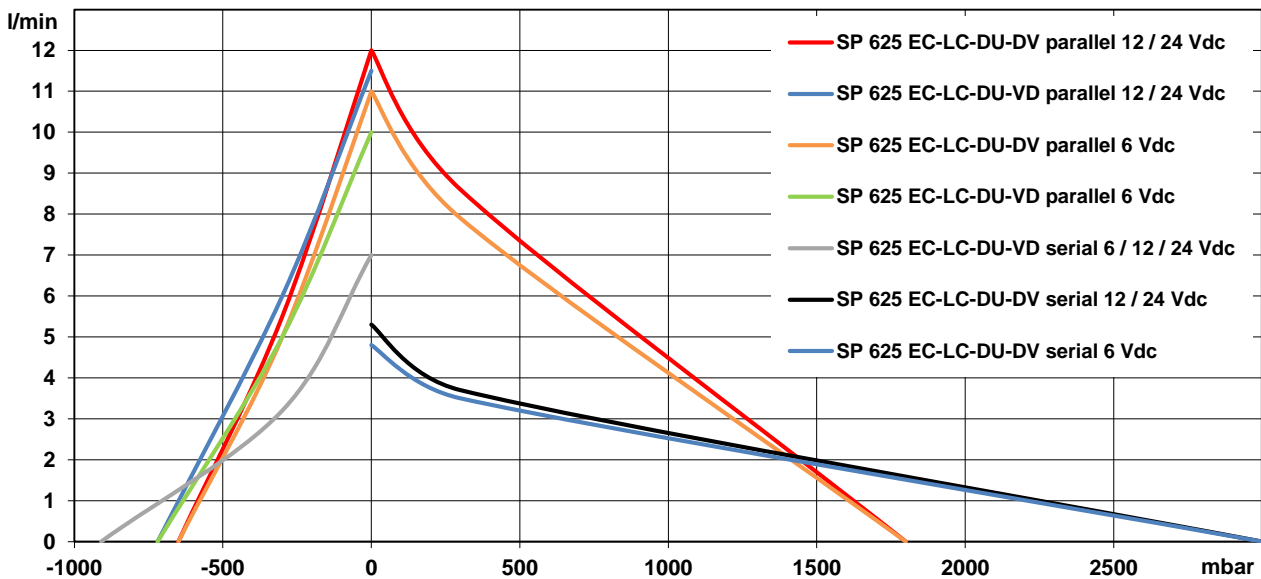




The pumps listed below represent a typical selection of our wide range of eccentric pumps and are intended for initial tests. **Customised versions** for your individual application would be made without additional costs - please contact us! All flow values given under norm conditions (according to DIN 1343). Optional materials can cause deviating performance values.

Designation	SP 625 EC-LC-DU-DV						SP 625 EC-LC-DU-VD						
	serial			parallel			serial			parallel			
Operating Voltage [Vdc]	6	12	24	6	12	24	6	12	24	6	12	24	
Art. No.	7s... 57231	57232	57233	57077	57078	57079	57147	57148	57149	57095	57096	57097	
<b>Pneumatic Performance</b>													
Free Flow [l/min]	4.8	5.3	5.3	11.0	12.0	12.0	7.0	7.0	7.0	10.0	11.5	11.5	
<b>Pressure Side</b>													
Flow at 300 mbar [l/min]	3.5	3.7	3.7	7.9	8.6	8.6	-	-	-	-	-	-	
max. Pressure [mbar]	3000	3000	3000	1800	1800	1800	-	-	-	-	-	-	
<b>Vacuum Side</b>													
Flow at -300 mbar [l/min]	-	-	-	5.0	5.5	5.5	3.2	3.2	3.2	5.0	6.0	6.0	
max. Vacuum [mbar]	-	-	-	-650	-650	-650	-910	-910	-910	-720	-720	-720	
<b>Motor / Power Consumption</b>													
Standard Motor Type	iron core / ball bearing and sintered bearing												
max. Nominal Current [mA]	2600	1700	800	2600	1700	800	2600	1700	800	2600	1700	800	
Optional Motor Types	-												
<b>Construction</b>													
Pump Head	standard											optional	
		PPS											
		Customer specific (upon request)											
Diaphragm, Valves	standard											optional	
		EPDM											
		FKM / FFKM / PTFE											
Tubing		PUR											
Weight [g]		250						250					

## Performance Curves

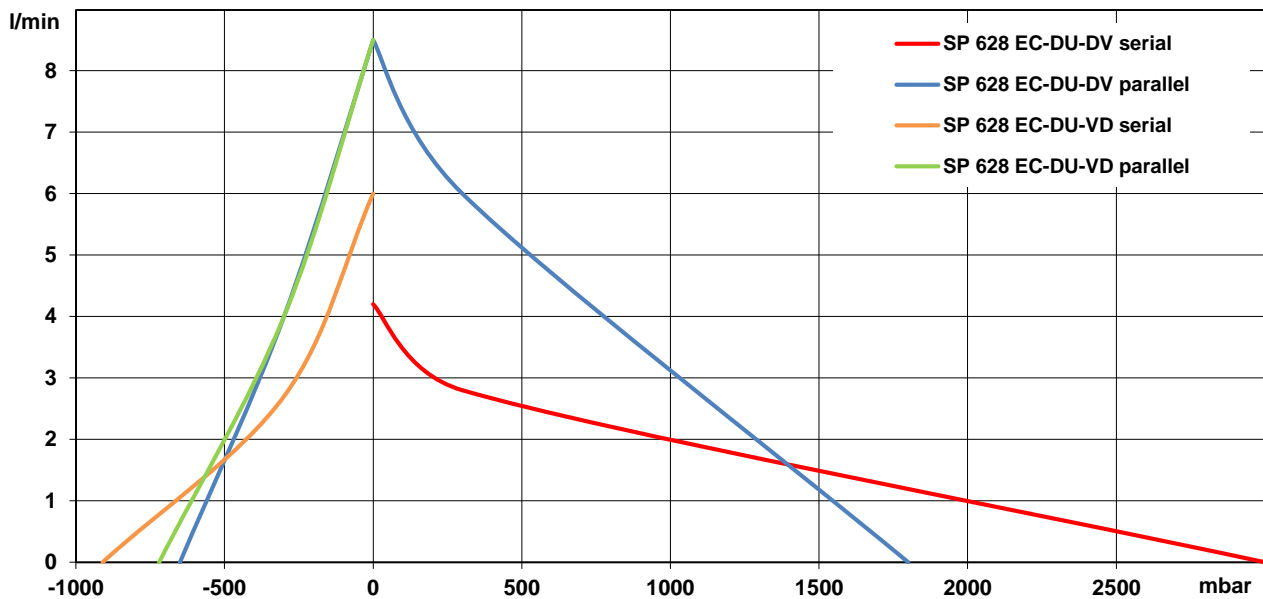




The pumps listed below represent a typical selection of our wide range of eccentric pumps and are intended for initial tests. **Customised versions** for your individual application would be made without additional costs - please contact us! All flow values given under norm conditions (according to DIN 1343). Optional materials can cause deviating performance values.

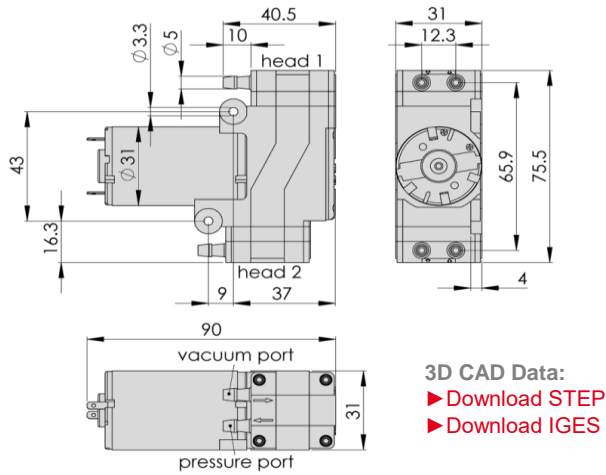
Designation	SP 628 EC-DU-DV				SP 628 EC-DU-VD			
	serial		parallel		serial		parallel	
Operating Voltage [Vdc]	12	24	12	24	12	24	12	24
Art. No.	7s57234	7s57235	7s57134	7s57135	7s57145	7s57146	7s57137	7s57138
<b>Pneumatic Performance</b>								
Free Flow [l/min]	4.2	4.2	8.5	8.5	6.0	6.0	8.5	8.5
<b>Pressure Side</b>								
Flow at 300 mbar [l/min]	2.8	2.8	6.0	6.0	-	-	-	-
max. Pressure [mbar]	3000	3000	1800	1800	-	-	-	-
<b>Vacuum Side</b>								
Flow at -300 mbar [l/min]	-	-	4.0	4.0	2.7	2.7	4.0	4.0
max. Vacuum [mbar]	-	-	-650	-650	-910	-910	-720	-720
<b>Motor / Power Consumption</b>								
Standard Motor Type	Iron core / ball bearings							
max. Nominal Current [mA]	800	450	800	440	800	450	800	440
Optional Motor Types	-							
<b>Construction</b>								
Pump Head	standard optional	PPS Customer specific (upon request)						
Diaphragm, Valves	standard optional	EPDM FKM / FFKM / PTFE						
Tubing	PUR							
Weight [g]	320				320			

## Performance Curves

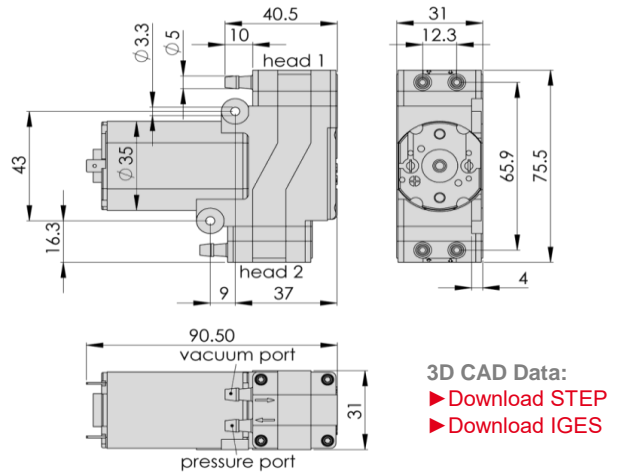




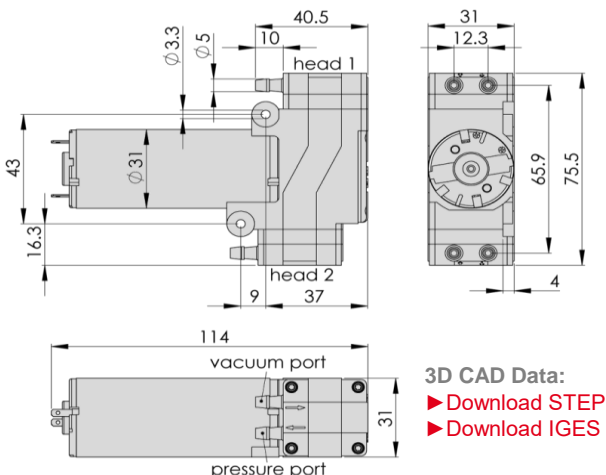
**SP 620 EC-DU**



**SP 625 EC-LC-DU**

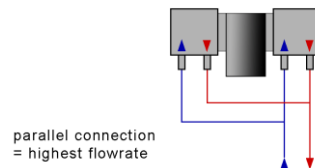
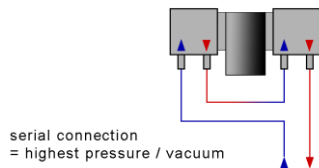


**SP 628 EC-DU**



Standard: connection ports as shown  
Optional: 3 other port positions possible

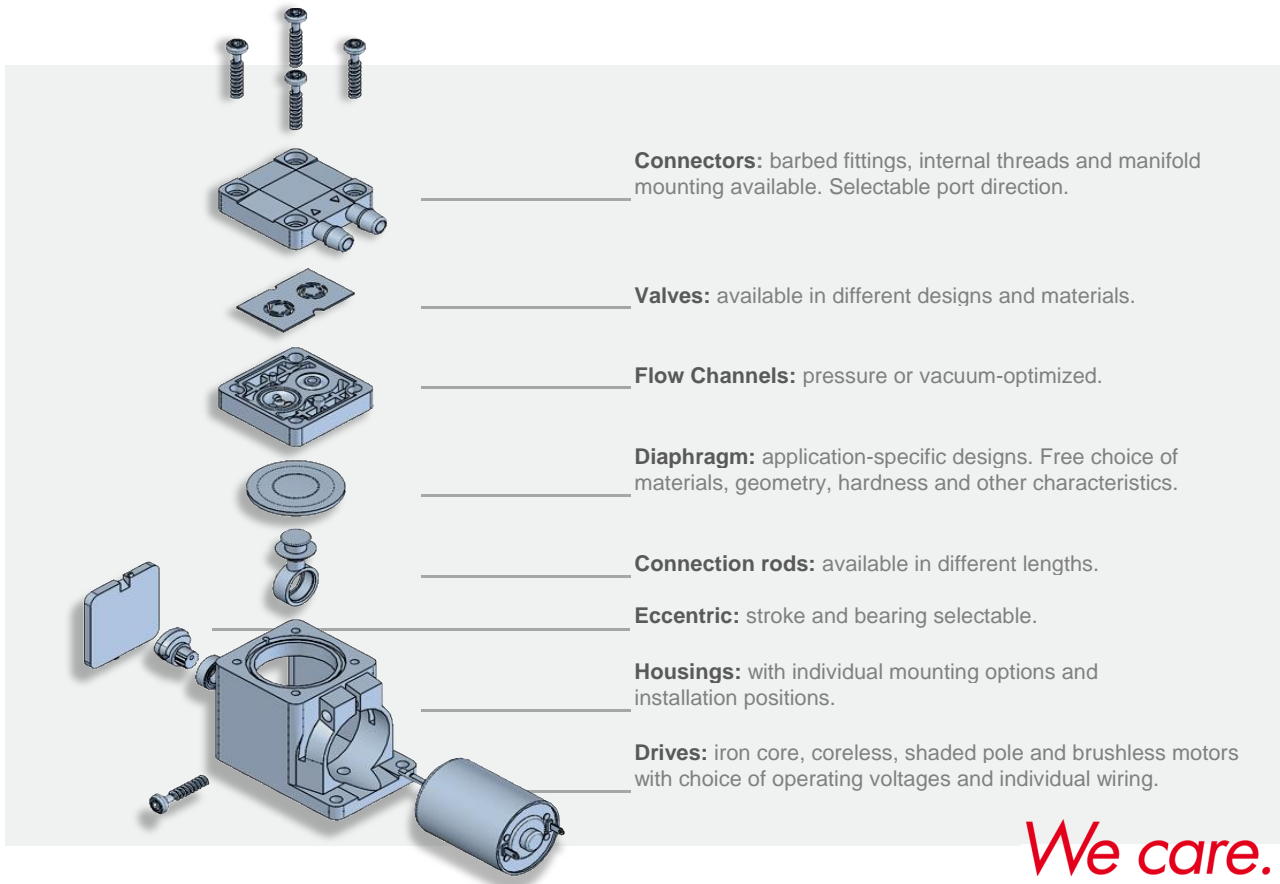
You can also download the 3D CAD data on the SP website:  
[www.schwarzer.com/download](http://www.schwarzer.com/download)





### Customising Examples

Customising without compromises is extremely important to us. We develop precision pumps in direct collaboration with our customers - with all parameters exactly adapted to the respective application. Thanks to the modular pump design, this is done without added development-related costs! We develop the ideal pump for you. Uncompromising and reliable.



### Installation Notes

In order to minimise noise and vibration we recommend securing the pump in one of the following ways:

- with rubber mounting (see "Accessories")
- with padded double sided adhesive tape
- with Velcro (hook and loop) tape for easy assembly and service
- Put the pump in a box lined with foam. Motor wires and tubing for the pump can lead through a hole in the side of the box.

### Accessories

Schwarzer Precision offers a comprehensive portfolio of pump accessories such as:

- mountings
- silencers + filters
- electronics
- check valves + pressure switches

For further information please consider the accessories data sheet or contact us for technical consultation.

► [Download PDF "Accessories"](#)

You can also download the PDF "Accessories" on our website: ► [www.schwarzer.com/accessories](http://www.schwarzer.com/accessories)