



SP 620 EC-TH

## *We care.*

**Customised Pumps - No Additional Costs!**

### Product Features

- Miniature diaphragm pump for gases
- Vacuum or pressure optimized pump design
- Use with two media or in serial or parallel operation
- High energy efficiency
- Very durable brushless drives
- Low weight and small size
- Applicable for noise- and vibration-sensitive environments (i.e. hospitals, personal protection equipment, etc.)
- Installation in any mounting orientation allows simple device integration
- Leak-tight, oil-free and maintenance-free

### Application Examples

Particularly suitable for portable and stationary devices such as:

- Gas analysers
- Anaesthesia monitoring
- Auto samplers
- Exhaust or flue gas analyzers
- Condensate analyzers
- Industrial pressure and vacuum
- Chromatography
- Pipetting devices

and many more...

### Customisation

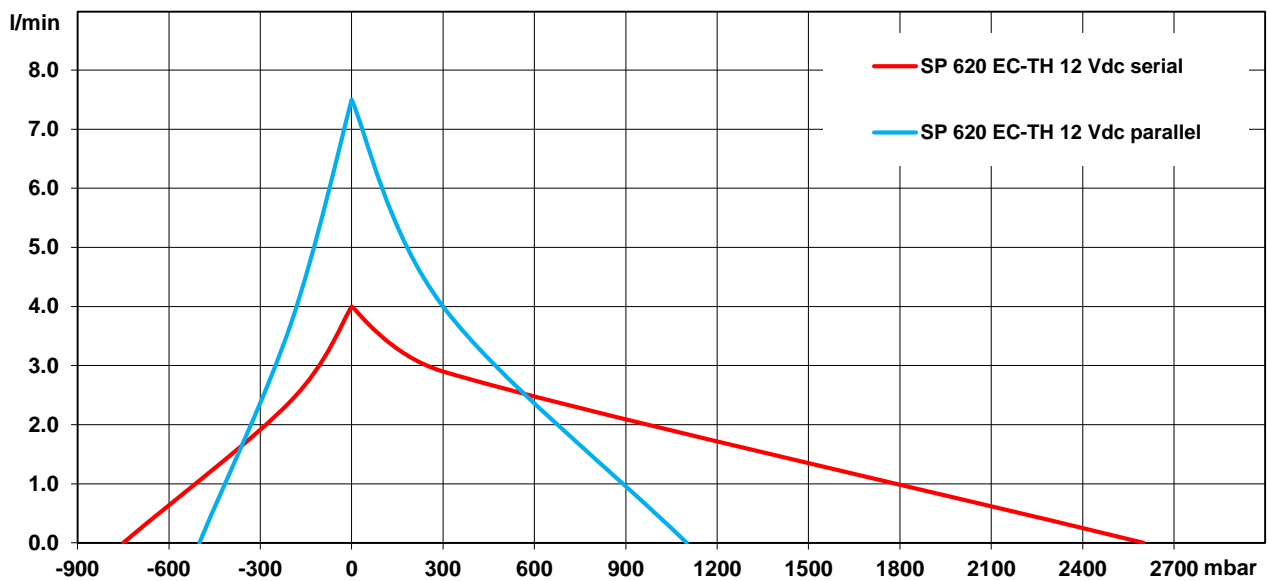
- We offer your customised precision pump without additional costs - even for small batches
- Our modular concept allows easy adaptations
- Outstanding quality - Made in Germany
- Excellent technical consultation and service by experts
- More than 40 years experience in pump applications
- Manifold mounting
- Fast delivery - order your sample now!

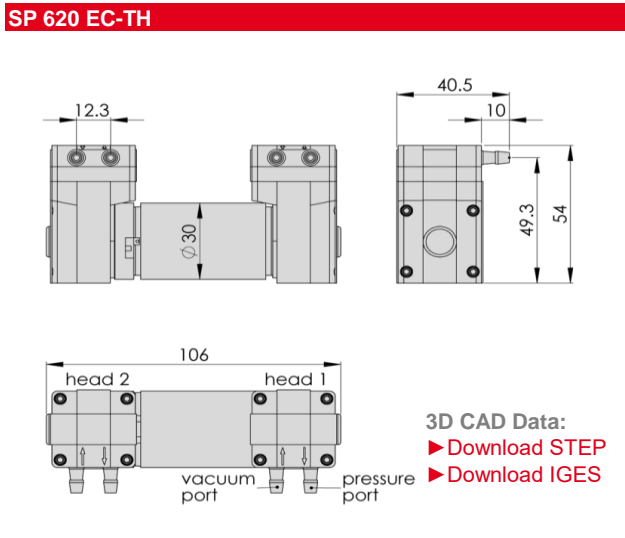


The pumps listed below represent a typical selection of our wide range of eccentric pumps and are intended for initial tests. **Customised versions** for your individual application would be made without additional costs - please contact us! All flow values given under norm conditions (according to DIN 1343). Optional materials can cause deviating performance values.

Designation		SP 620 EC-TH	
Operating Voltage [Vdc]		12	
Art. No.		7s57110	
Pneumatic Performance			
Free Flow [l/min]		<b>serial</b>	<b>parallel</b>
		4.0	7.5
Pressure Side			
Flow at 300 mbar [l/min]		2.9	4.0
max. Pressure [mbar]		2600	1100
Vacuum Side			
Flow at -200 mbar [l/min]		2.4	3.7
max. Vacuum [mbar]		-750	-500
Motor / Power Consumption			
Standard Motor Type		Iron core / ball bearings	
max. Nominal Current [mA]		800	700
Optional Motor Type		-	
Construction			
Pump Head	standard	PPS	
	optional	Customer specific (upon request)	
Diaphragm, Valves	standard	EPDM	
	optional	FKM / Silicone / FFKM / PTFE	
Weight [g]		250	

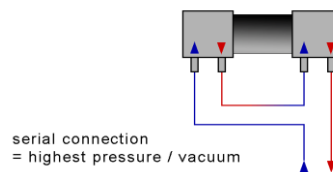
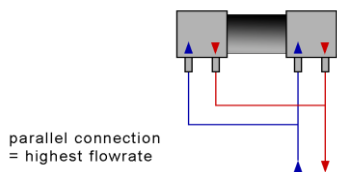
## Performance Curves





Standard: connection ports as shown  
Optional: 3 other port positions possible

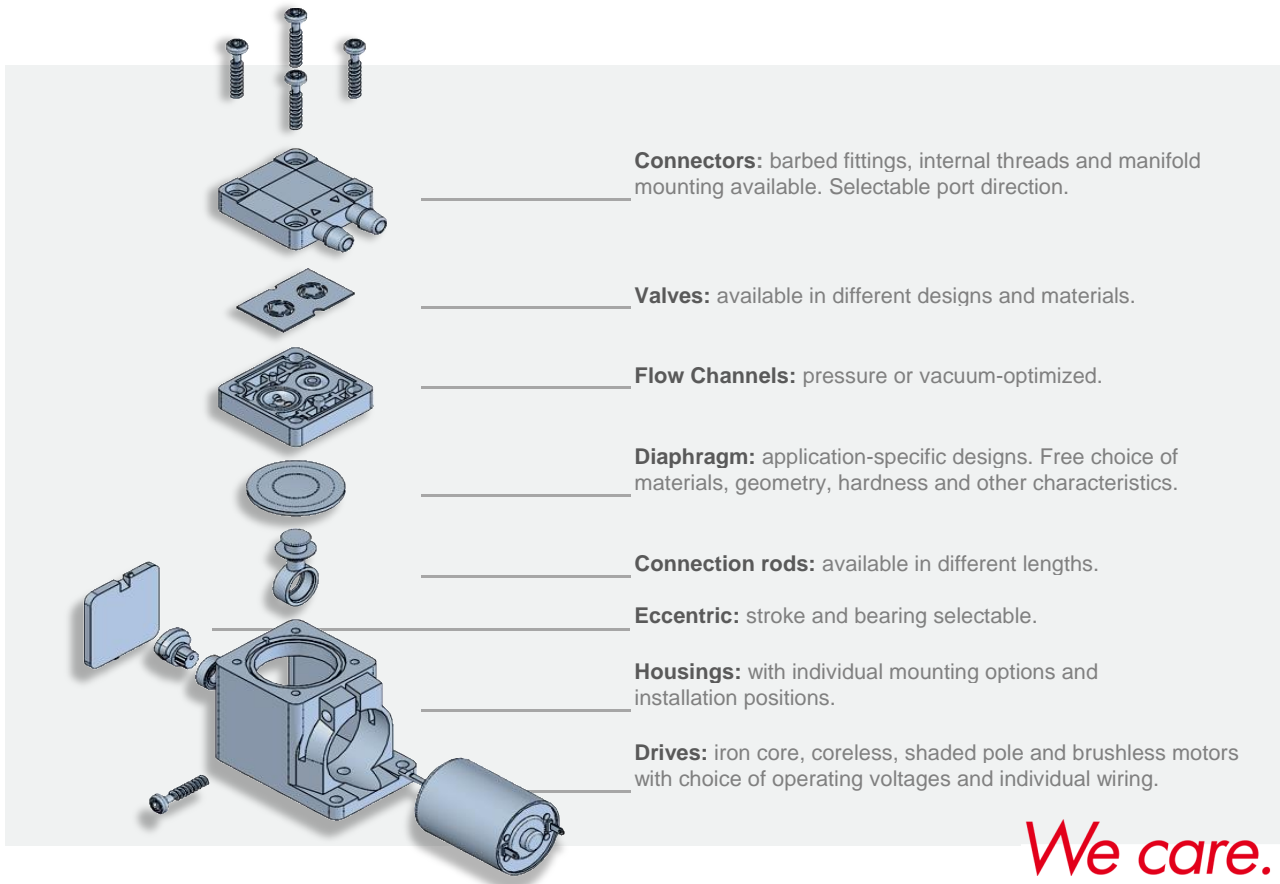
You can also download the 3D CAD data on the SP website:  
▶ [www.schwarzer.com/download](http://www.schwarzer.com/download)





### Customising Examples

Customising without compromises is extremely important to us. We develop precision pumps in direct collaboration with our customers - with all parameters exactly adapted to the respective application. Thanks to the modular pump design, this is done without added development-related costs! We develop the ideal pump for you. Uncompromising and reliable.



### Installation Notes

In order to minimise noise and vibration we recommend securing the pump in one of the following ways:

- with rubber mounting (see "Accessories")
- with padded double sided adhesive tape
- with Velcro (hook and loop) tape for easy assembly and service
- Put the pump in a box lined with foam. Motor wires and tubing for the pump can lead through a hole in the side of the box.

### Accessories

Schwarzer Precision offers a comprehensive portfolio of pump accessories such as:

- mountings
- silencers + filters
- electronics
- check valves + pressure switches

For further information please consider the accessories data sheet or contact us for technical consultation.

► [Download PDF "Accessories"](#)

You can also download the PDF "Accessories" on our website: ► [www.schwarzer.com/accessories](http://www.schwarzer.com/accessories)

