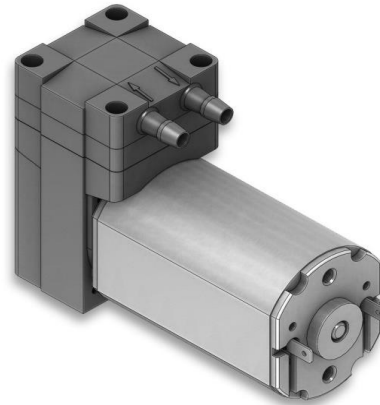
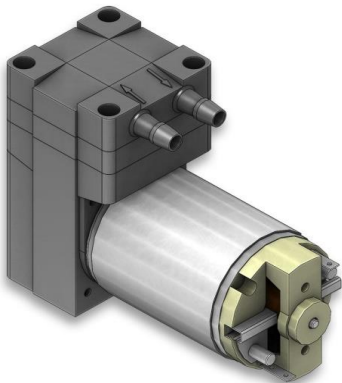


SP 600 EC
SP 620 EC



SP 625 EC-LC



SP 600 EC-LC
SP 620 EC-LC

We care.

Customised Pumps - No Additional Costs!

Product Features

- Miniature diaphragm pump for gases
- Vacuum or pressure optimized pump design
- High efficiency and available in common supply voltages
- From low-cost to durable drives
- Low weight and small size
- Applicable for noise- and vibration-sensitive environments (i.e. hospitals, personal protection equipment, etc.)
- Installation in any mounting orientation allows simple device integration
- Leak-tight, oil-free and maintenance-free

Application Examples

Particularly suitable for portable and stationary devices such as:

- Gas analysers
- Anaesthesia monitoring
- Auto samplers
- Dental vacuum pump
- Exhaust or flue gas analyzers
- Blood pressure monitoring
- Industrial pressure and vacuum
- Chromatography
- Pipetting devices

and many more...

Customisation

- We offer your customised precision pump without additional costs - even for small batches
- Our modular concept allows easy adaptations
- Outstanding quality - Made in Germany
- Excellent technical consultation and service by experts
- More than 40 years experience in pump applications
- Manifold mounting
- Fast delivery - order your sample now!

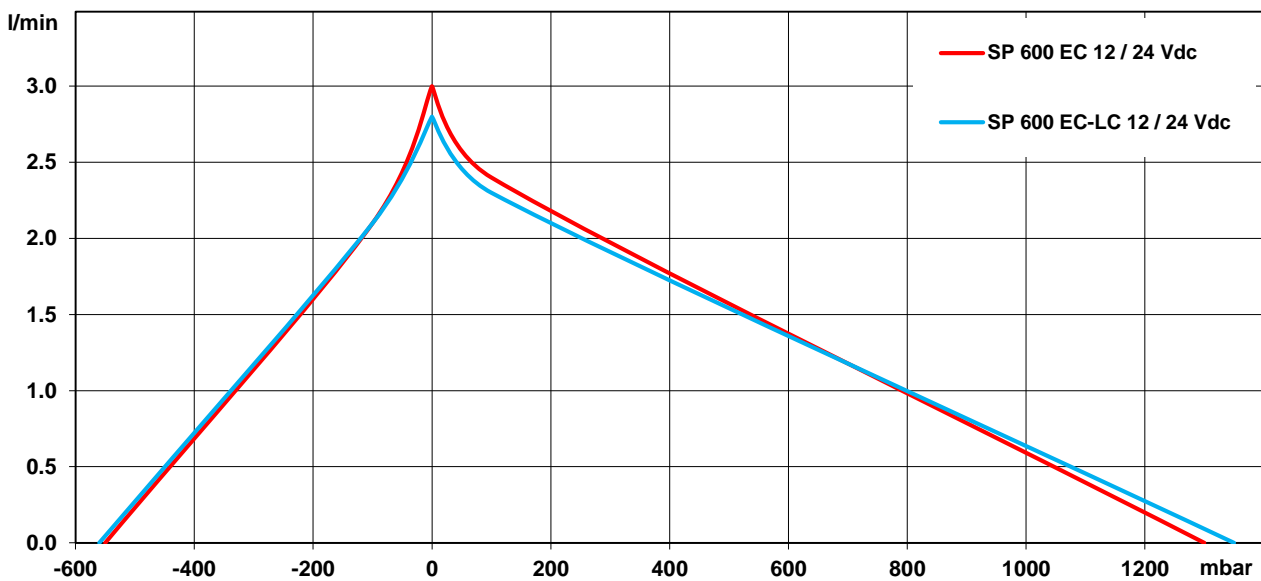


SP 600 / 620 / 625 EC

The pumps listed below represent a typical selection of our wide range of eccentric pumps and are intended for initial tests. **Customised versions** for your individual application would be made without additional costs - please contact us! All flow values given under norm conditions (according to DIN 1343). Optional materials can cause deviating performance values.

Designation	SP 600 EC-LC		SP 600 EC	
Operating Voltage [Vdc]	12	24	12	24
Art. No.	7s52100	7s52101	7s52115	7s52116
Pneumatic Performance				
Free Flow [l/min]	2.8	2.8	3.0	3.0
Pressure Side				
Flow at 100 mbar [l/min]	2.3	2.3	2.4	2.4
max. Pressure [mbar]	1350	1350	1300	1300
Vacuum Side				
Flow at -100 mbar [l/min]	2.1	2.1	2.1	2.1
max. Vacuum [mbar]	-560	-560	-550	-550
Motor / Power Consumption				
Standard Motor Type	iron core / sintered bearings		iron core / ball bearings	
max. Nominal Current [mA]	390	195	360	180
Optional Motor Type	-		sintered bearings	
Construction				
Pump Head	standard		PPS	
	optional		customer specific (upon request)	
Diaphragm, Valves	standard		EPDM	
	optional		FKM / FFKM / PTFE	
Weight [g]	165		184	

Performance Curves



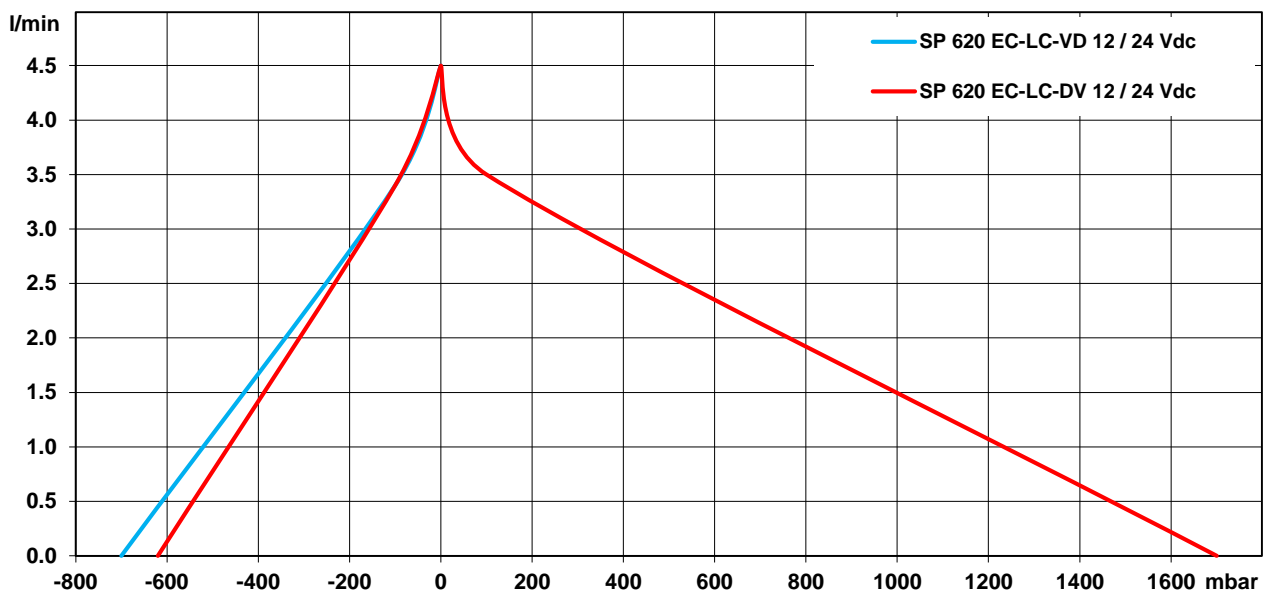


SP 600 / 620 / 625 EC

The pumps listed below represent a typical selection of our wide range of eccentric pumps and are intended for initial tests. **Customised versions** for your individual application would be made without additional costs - please contact us! All flow values given under norm conditions (according to DIN 1343). Optional materials can cause deviating performance values.

Designation	SP 620 EC-LC-DV		SP 620 EC-LC-VD	
Operating Voltage [Vdc]	12	24	12	24
Art. No.	7s57004	7s57005	7s57223	7s57224
Pneumatic Performance				
Free Flow [l/min]	4.5	4.5	4.5	4.5
Pressure Side				
Flow at 100 mbar [l/min]	3.5	3.5	-	-
max. Pressure [mbar]	1700	1700	-	-
Vacuum Side				
Flow at -100 mbar [l/min]	3.4	3.4	3.4	3.4
max. Vacuum [mbar]	-620	-620	-700	-700
Higher performances on request				
Motor / Power Consumption				
Standard Motor Type	iron core / sintered bearings			
max. Nominal Current [mA]	690	330	690	330
Optional Motor Type	-			
Construction				
Pump Head	standard optional	PPS customer specific (upon request)		
Diaphragm, Valves	standard optional	EPDM FKM / FFKM / PTFE		
Weight [g]	165		165	

Performance Curves



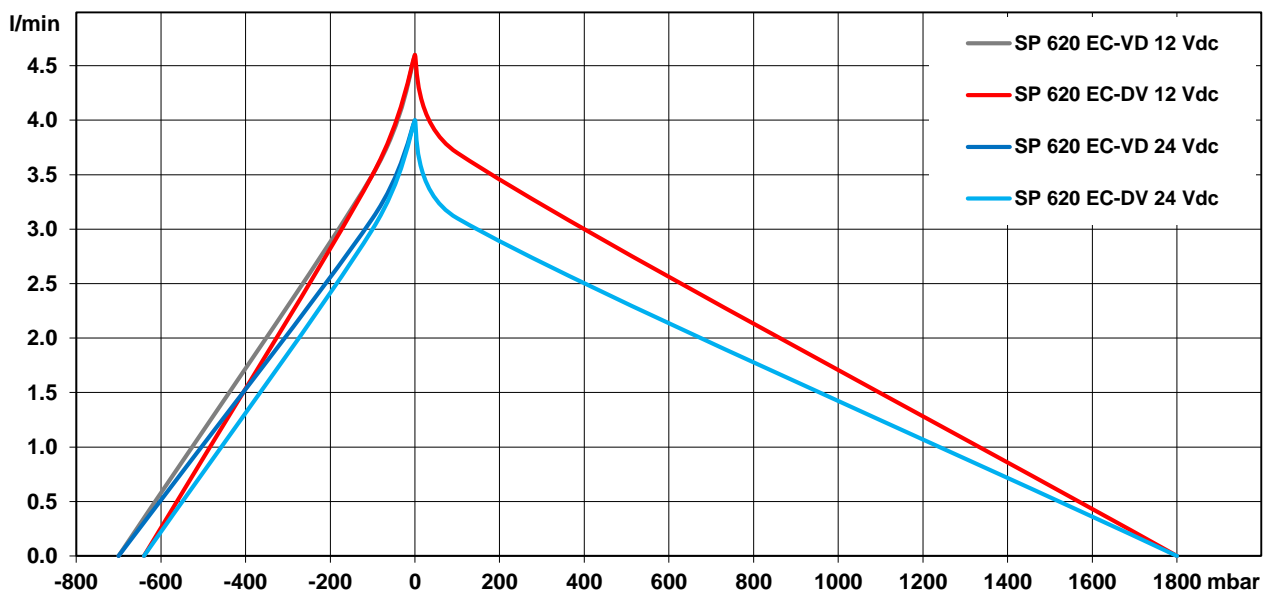


SP 600 / 620 / 625 EC

The pumps listed below represent a typical selection of our wide range of eccentric pumps and are intended for initial tests. **Customised versions** for your individual application would be made without additional costs - please contact us! All flow values given under norm conditions (according to DIN 1343). Optional materials can cause deviating performance values.

Designation	SP 620 EC-DV		SP 620 EC-VD	
Operating Voltage [Vdc]	12	24	12	24
Art. No.	7s57002	7s57003	7s57016	7s57063
Pneumatic Performance				
Free Flow [l/min]	4.6	4.0	4.6	4.0
Pressure Side				
Flow at 100 mbar [l/min]	3.7	3.1	-	-
max. Pressure [mbar]	1800	1800	-	-
Vacuum Side				
Flow at -100 mbar [l/min]	3.5	3.0	3.5	3.1
max. Vacuum [mbar]	-640	-640	-700	-700
Higher performances on request				
Motor / Power Consumption				
Standard Motor Type	iron core / ball bearings			
max. Nominal Current [mA]	550	290	550	290
Optional Motor Type	sintered bearings			
Construction				
Pump Head	standard optional	PPS customer specific (upon request)		
Diaphragm, Valves	standard optional	EPDM FKM / FFKM / PTFE		
Weight [g]	184		184	

Performance Curves



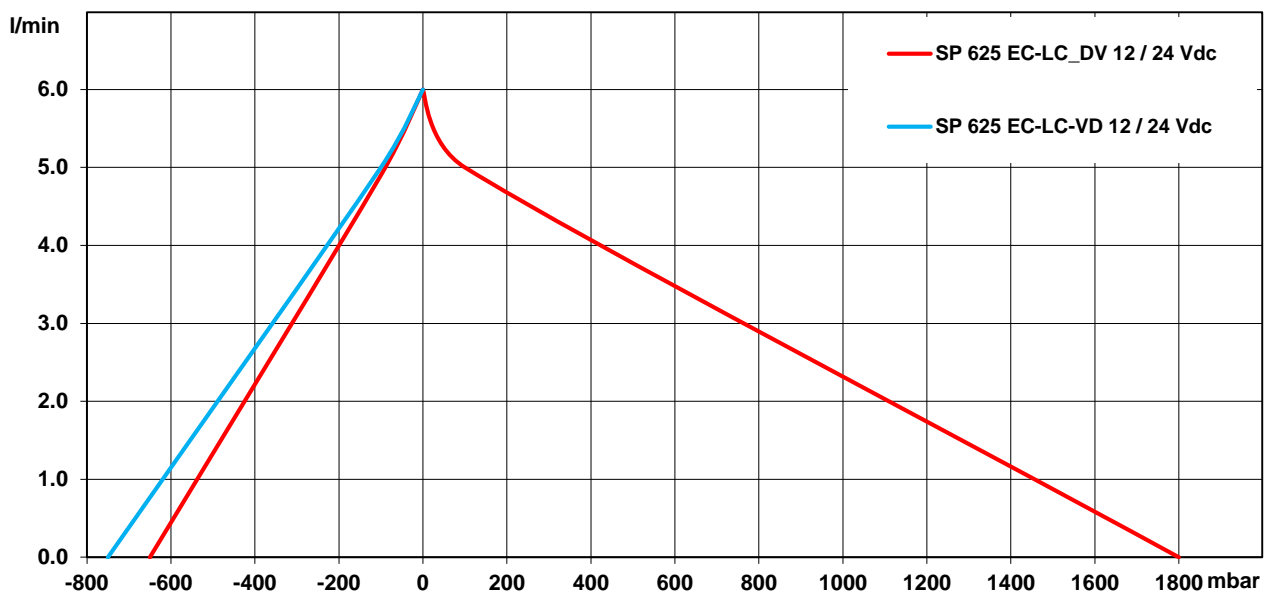


SP 600 / 620 / 625 EC

The pumps listed below represent a typical selection of our wide range of eccentric pumps and are intended for initial tests. **Customised versions** for your individual application would be made without additional costs - please contact us! All flow values given under norm conditions (according to DIN 1343). Optional materials can cause deviating performance values.

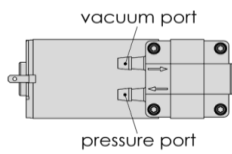
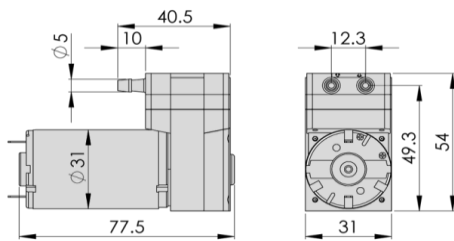
Designation		SP 625 EC-LC-DV		SP 625 EC-LC-VD	
Operating Voltage [Vdc]		12	24	12	24
Art. No.		7s57276	7s57277	7s57278	7s57279
Pneumatic Performance					
Free Flow [l/min]		6.0	6.0	6.0	6.0
Pressure Side					
Flow at 100 mbar [l/min]		5.0	5.0	-	-
max. Pressure [mbar]		1800	1800	-	-
Vacuum Side					
Flow at -100 mbar [l/min]		4.9	4.9	5.0	5.0
max. Vacuum [mbar]		-650	-650	-750	-750
Higher performances on request					
Motor / Power Consumption					
Standard Motor Type		iron core / ball bearing and sintered bearing			
max. Nominal Current [mA]		900	500	900	500
Optional Motor Type		-			
Construction					
Pump Head	standard optional	PPS customer specific (upon request)			
Diaphragm, Valves	standard optional	EPDM FKM / FFKM / PTFE			
Weight [g]		220		220	

Performance Curves



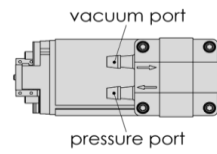
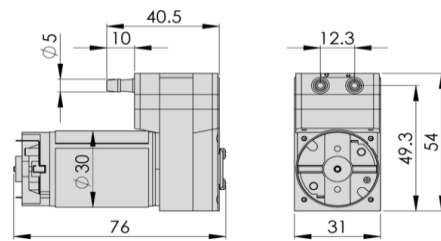


SP 600 EC / 620 EC-DV / 620 EC-VD



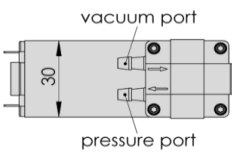
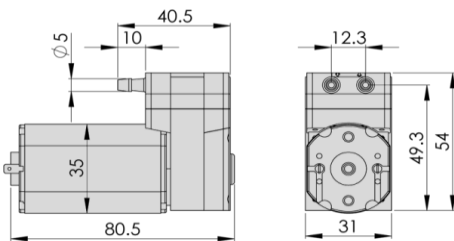
3D CAD Data:
▶ Download STEP
▶ Download IGES

SP 600 EC-LC / 620 EC-LC-DV / 620 EC-LC-VD



3D CAD Data:
▶ Download STEP
▶ Download IGES

SP 625 EC-LC-DV / 625 EC-LC-VD



3D CAD Data:
▶ Download STEP
▶ Download IGES

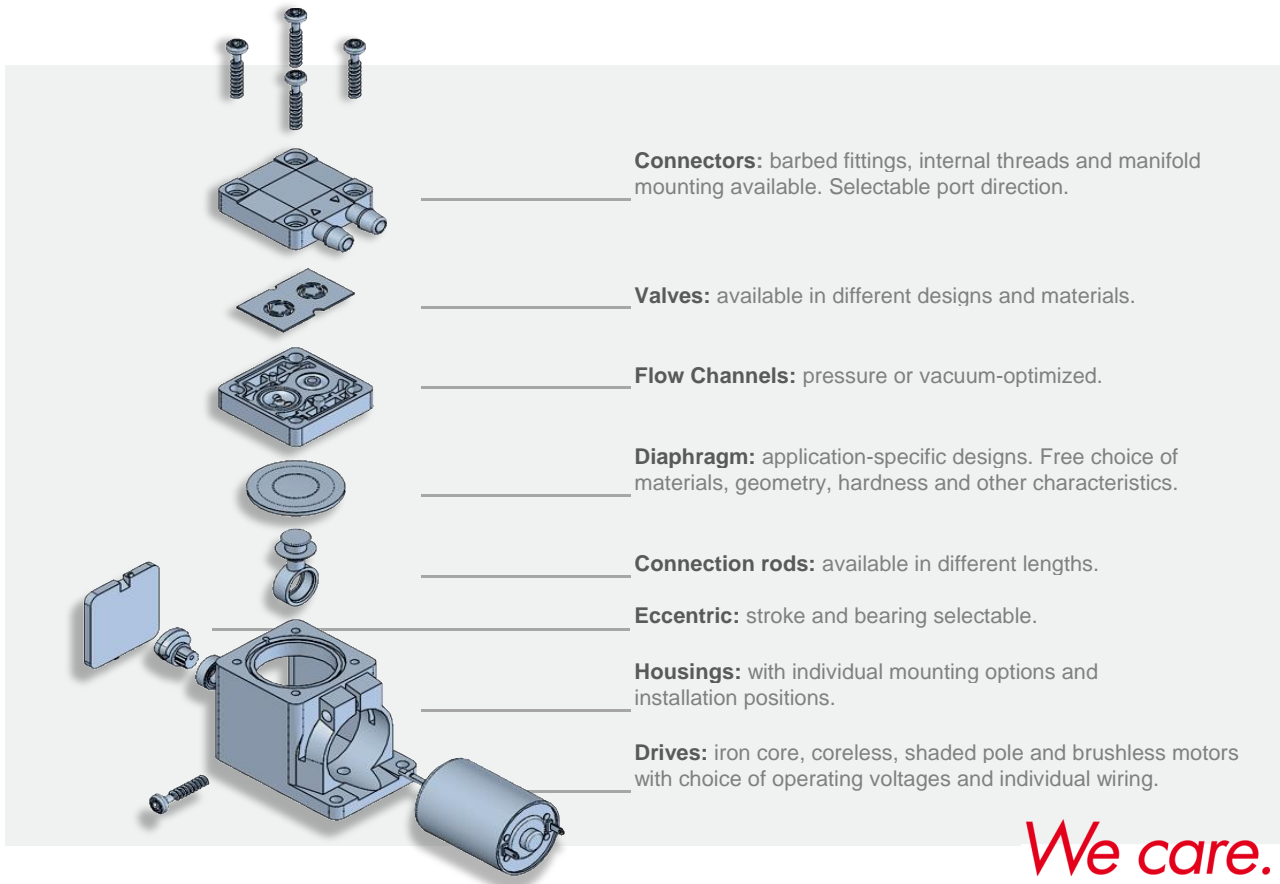
Standard: connection ports as shown
Optional: 3 other port positions possible

You can also download the 3D CAD data on the SP website:
▶ www.schwarzer.com/download



Customising Examples

Customising without compromises is extremely important to us. We develop precision pumps in direct collaboration with our customers - with all parameters exactly adapted to the respective application. Thanks to the modular pump design, this is done without added development-related costs! We develop the ideal pump for you. Uncompromising and reliable.



Installation Notes

In order to minimise noise and vibration we recommend securing the pump in one of the following ways:

- with rubber mounting (see "Accessories")
- with padded double sided adhesive tape
- with Velcro (hook and loop) tape for easy assembly and service
- Put the pump in a box lined with foam. Motor wires and tubing for the pump can lead through a hole in the side of the box.

Accessories

Schwarzer Precision offers a comprehensive portfolio of pump accessories such as:

- mountings
- silencers + filters
- electronics
- check valves + pressure switches

For further information please consider the accessories data sheet or contact us for technical consultation.

► [Download PDF "Accessories"](#)

You can also download the PDF "Accessories" on our website: ► www.schwarzer.com/accessories