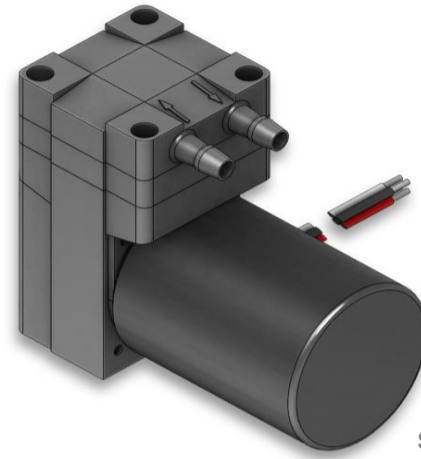


SP 620 EC-BL



SP 622 EC-BL

We care.

Customised Pumps - No Additional Costs!

Product Features

- Miniature diaphragm pump for gases
- Applicable as pressure or vacuum pump
- High efficiency and available in common supply voltages
- Very durable brushless drives (up to 10000 h)
- Low weight and small size
- Applicable for noise- and vibration-sensitive environments (i.e. hospitals, personal protection equipment, etc.)
- Installation in any mounting orientation allows simple device integration
- Leak-tight, oil-free and maintenance-free

Application Examples

Particularly suitable for portable and stationary devices such as:

- Gas analysers
- Anaesthesia monitoring
- Auto samplers
- Dental vacuum pump
- Exhaust or flue gas analyzers
- Blood pressure monitoring
- Industrial pressure and vacuum
- Chromatography
- Pipetting devices

and many more...

Customisation

- We offer your customised precision pump without additional costs - even for small batches
- Our modular concept allows easy adaptations
- Outstanding quality - Made in Germany
- Excellent technical consultation and service by experts
- More than 40 years experience in pump applications
- Manifold mounting
- Fast delivery - order your sample now!

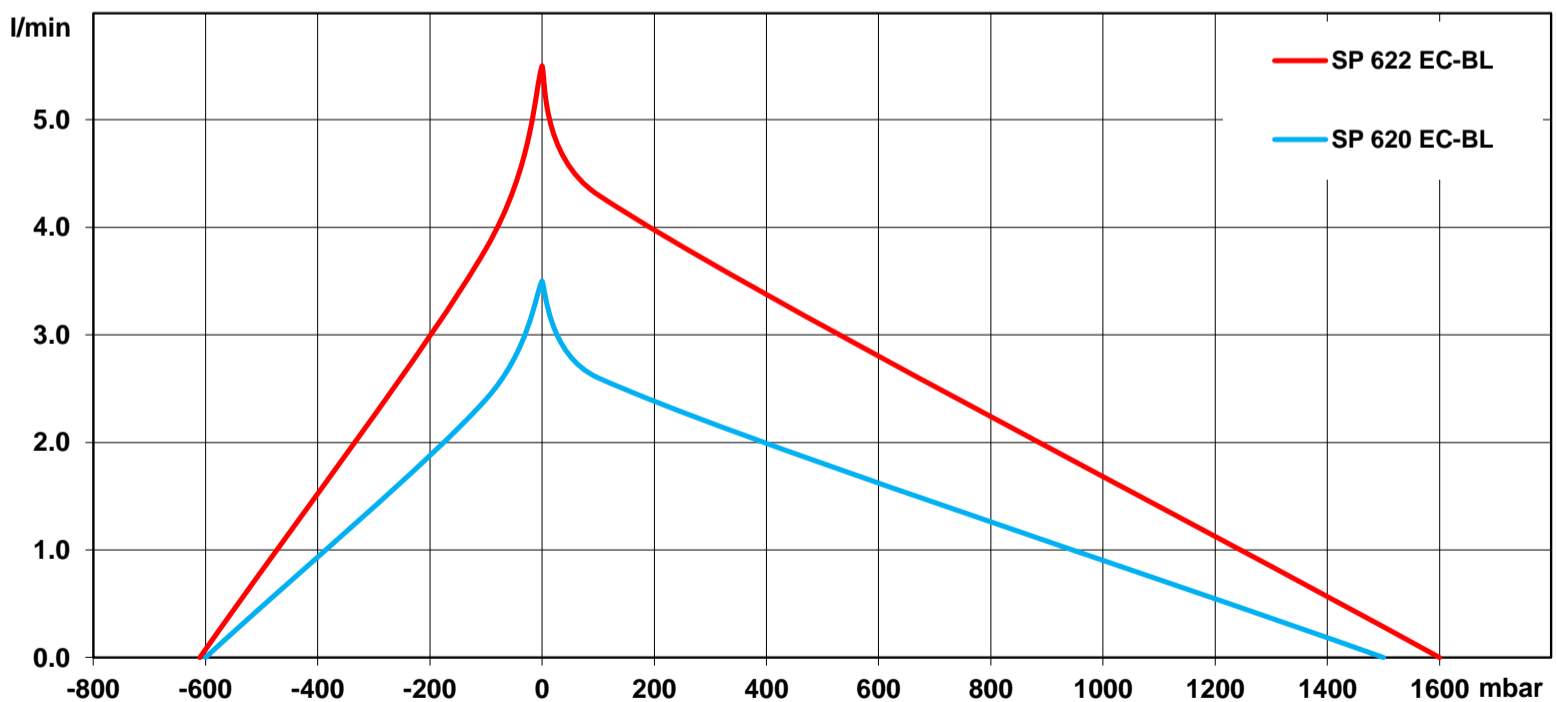


SP 620 / 622 EC-BL

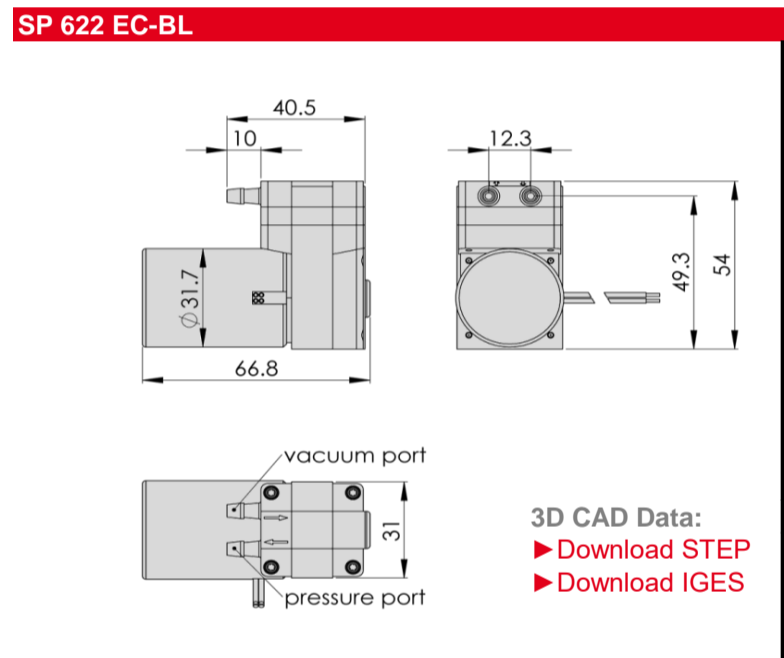
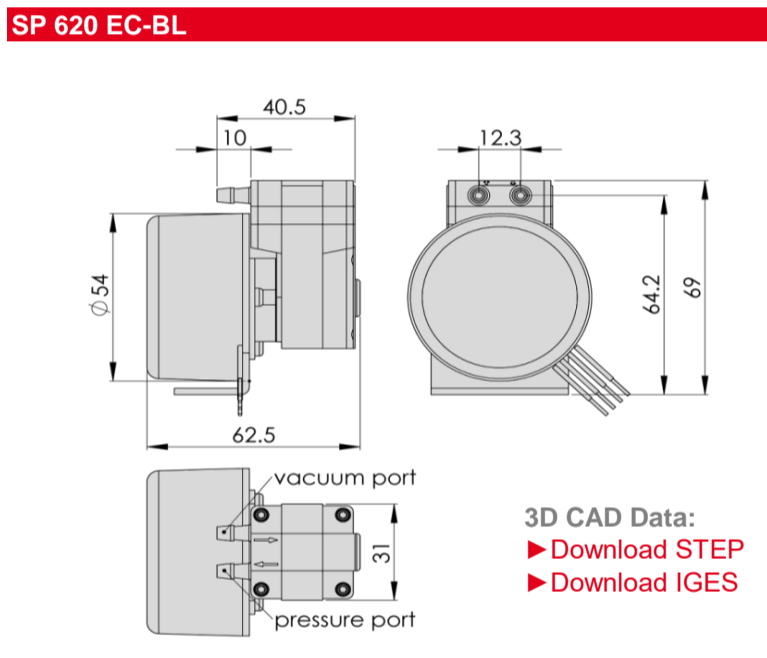
The pumps listed below represent a typical selection of our wide range of eccentric pumps and are intended for initial tests. **Customised versions** for your individual application would be made without additional costs - please contact us! All flow values given under norm conditions (according to DIN 1343). Optional materials can cause deviating performance values.

Designation	SP 620 EC-BL		SP 622 EC-BL	
Operating Voltage [Vdc]	12	24	12	24
Art. No.	7s57012	7s57011	7s57059	7s57060
Pneumatic Performance				
Free Flow [l/min]	3.5		5.5	
Pressure Side				
Flow at 100 mbar [l/min]	2.6		4.3	
max. Pressure [mbar]	1500		1600	
Vacuum Side				
Flow at -100 mbar [l/min]	2.4		3.8	
max. Vacuum [mbar]	-600		-610	
Motor / Power Consumption				
Standard Motor Type	brushless, analog control / ball bearings		brushless, analog or PWM control / ball bearings	
max. Nominal Current [mA]	600	300	700	350
Optional Motor Types	analog or PWM control or without internal electronics		analog control or without internal electronics	
Construction				
Pump Head	standard optional	PPS Customer specific (upon request)		
Diaphragm, Valves	standard optional	EPDM FKM / FFKM / PTFE		
Weight [g]	260		170	

Performance Curves



Am Lichtbogen 7 • 45141 Essen • Germany
 Phone: +49 201 31697-0 • Fax: +49 201 31697-29
 e-mail: info@schwarzer.com • <http://www.schwarzer.com>



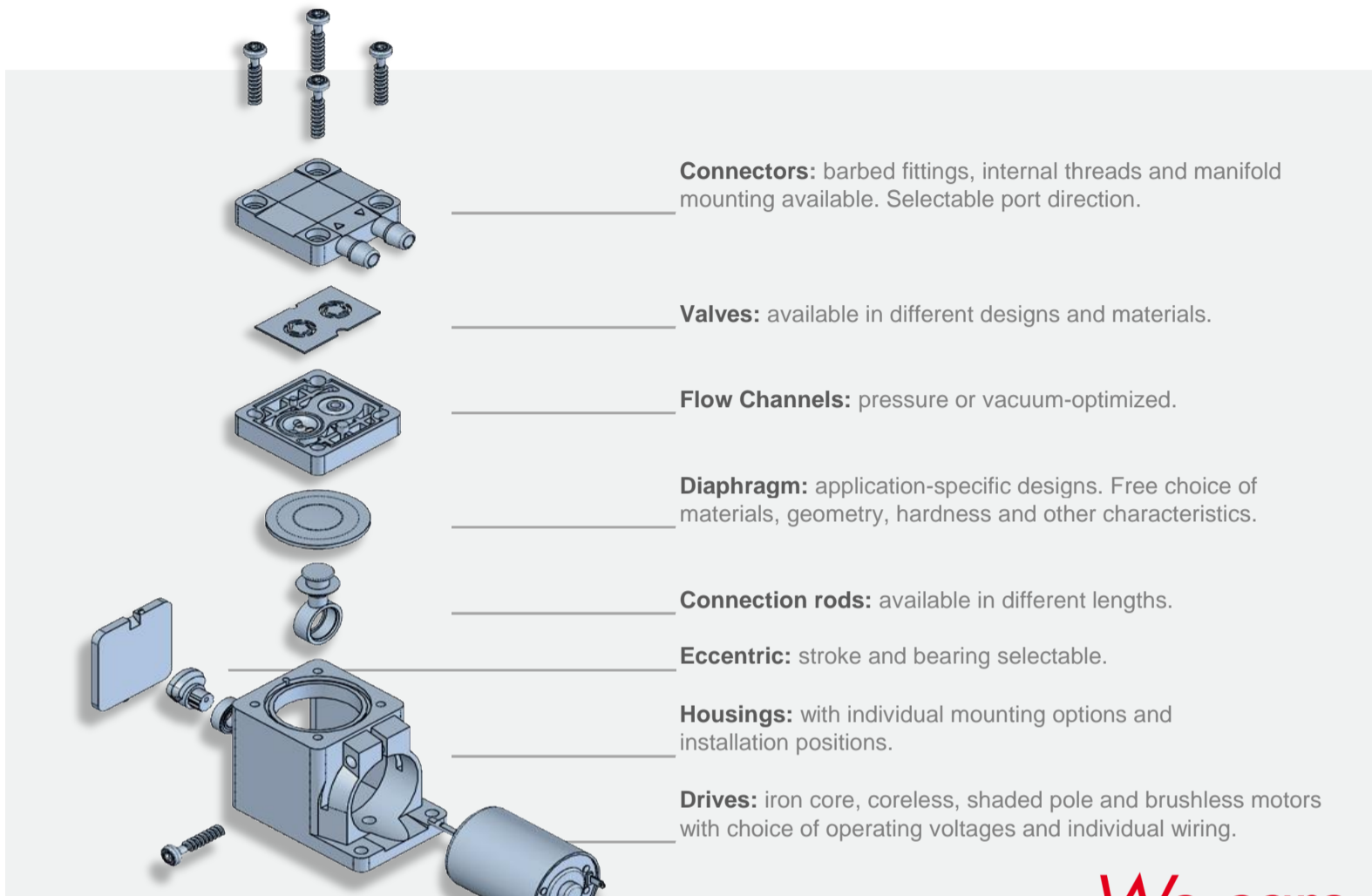
Standard: connection ports as shown
Optional: 3 other port positions possible

You can also download the 3D CAD data on the SP website:
▶ www.schwarzer.com/download



Customising Examples

Customising without compromises is extremely important to us. We develop precision pumps in direct collaboration with our customers - with all parameters exactly adapted to the respective application. Thanks to the modular pump design, this is done without added development-related costs! We develop the ideal pump for you. Uncompromising and reliable.



We care.

Installation Notes

In order to minimise noise and vibration we recommend securing the pump in one of the following ways:

- with rubber mounting (see "Accessories")
- with padded double sided adhesive tape
- with Velcro (hook and loop) tape for easy assembly and service
- Put the pump in a box lined with foam. Motor wires and tubing for the pump can lead through a hole in the side of the box.

Accessories

Schwarzer Precision offers a comprehensive portfolio of pump accessories such as:

- mountings
- silencers + filters
- electronics
- check valves + pressure switches

For further information please consider the accessories data sheet or contact us for technical consultation.

► [Download PDF "Accessories"](#)

You can also download the PDF "Accessories" on our website:

► www.schwarzer.com/accessories