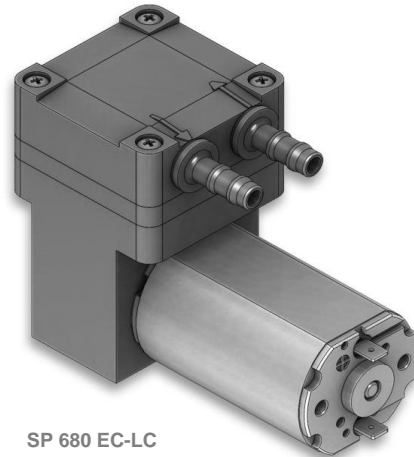


SP 680 EC



SP 680 EC-LC

We care.

Customised Pumps - No Additional Costs!

Product Features

- Miniature diaphragm pump for gases
- Applicable as pressure or vacuum pump
- High efficiency and available in common supply voltages
- From low-cost to mid-class drives
- Low weight and small size
- Applicable for noise- and vibration-sensitive environments (i.e. hospitals, personal protection equipment, etc.)
- Installation in any mounting orientation allows simple device integration
- Leak-tight, oil-free and maintenance-free

Application Examples

Particularly suitable for portable and stationary devices such as:

- Gas analysers
- Anaesthesia monitoring
- Auto samplers
- Exhaust or flue gas analyzers
- Blood pressure monitoring
- Industrial pressure and vacuum
- Chromatography
- Pipetting devices

and many more...

Customisation

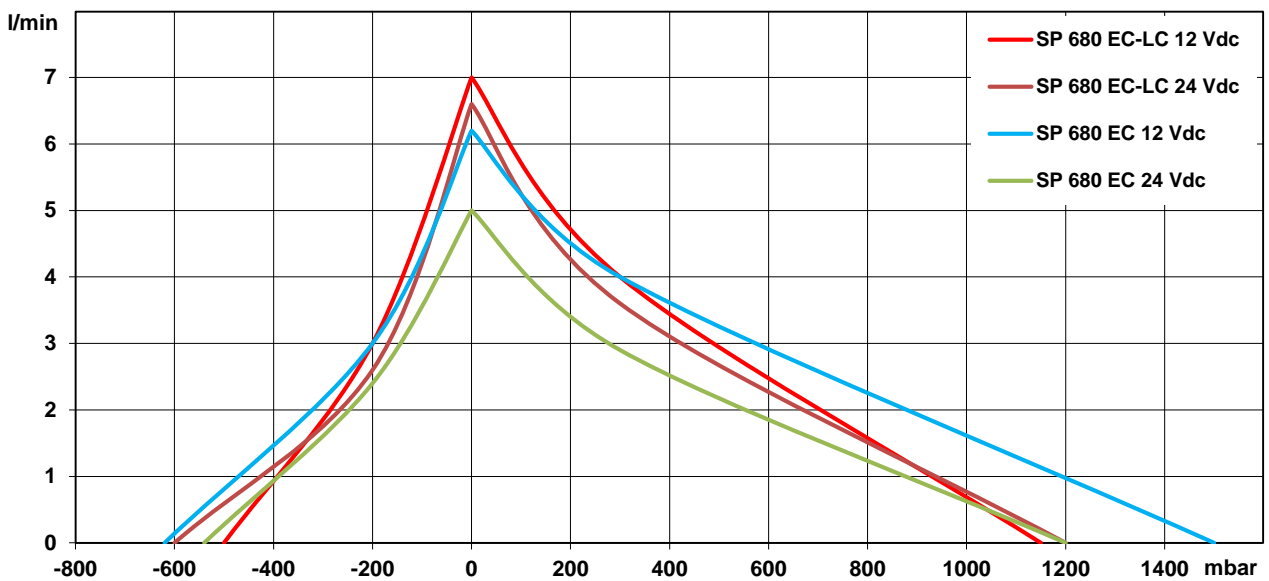
- We offer your customised precision pump without additional costs - even for small batches
- Our modular concept allows easy adaptations
- Outstanding quality - Made in Germany
- Excellent technical consultation and service by experts
- More than 40 years experience in pump applications
- Manifold mounting
- Fast delivery - order your sample now!

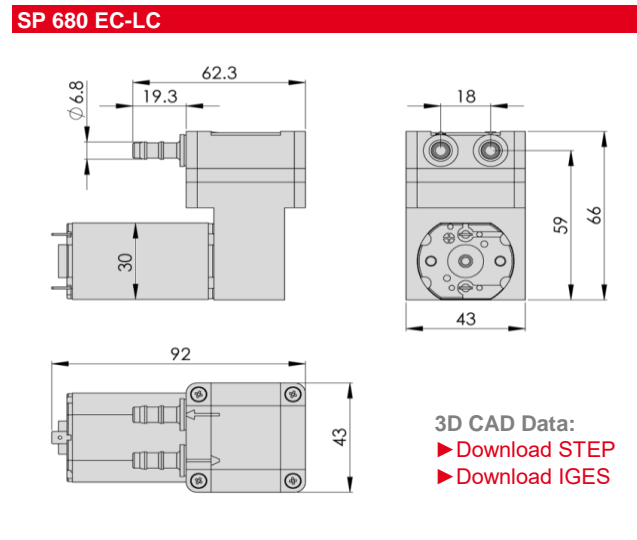
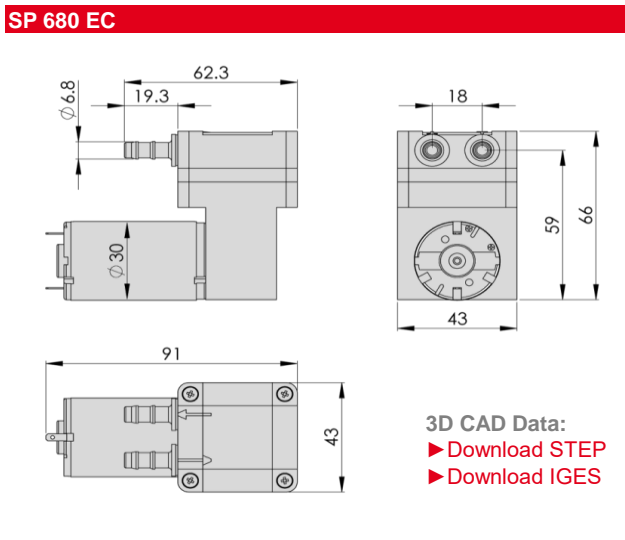


The pumps listed below represent a typical selection of our wide range of eccentric pumps and are intended for initial tests. **Customised versions** for your individual application would be made without additional costs - please contact us! All flow values given under norm conditions (according to DIN 1343). Optional materials can cause deviating performance values.

Designation	SP 680 EC		SP 680 EC-LC	
Operating Voltage [Vdc]	12	24	12	24
Art. No.	7s52076	7s52077	7s52083	7s52084
Pneumatic Performance				
Free Flow [l/min]	6.2	5.0	7.0	6.6
Pressure Side				
Flow at 300 mbar [l/min]	4.0	2.9	4.0	3.6
max. Pressure [mbar]	1500	1200	1150	1200
Vacuum Side				
Flow at -200 mbar [l/min]	3.0	2.4	3.0	2.6
max. Vacuum [mbar]	-620	-540	-500	-600
Motor / Power Consumption				
Standard Motor Type	iron core / ball bearings		iron core / ball bearing and sintered bearing	
max. Nominal Current [mA]	750	400	1200	700
Optional Motor Types	-		-	
Construction				
Pump Head	standard optional	PPS customer specific - upon request		
Diaphragm, Valves	standard optional	EPDM / Silicone FKM		
Weight [g]	254		265	

Performance Curves





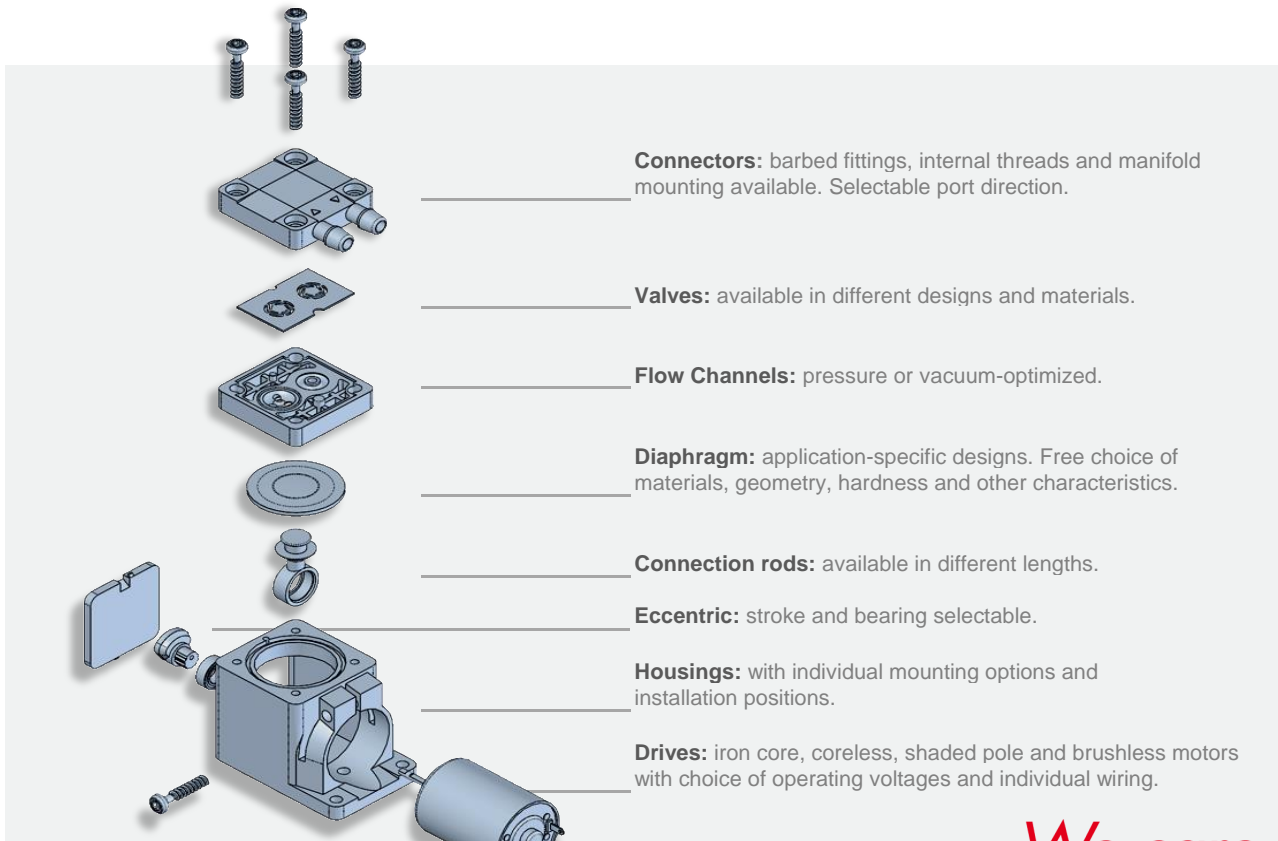
Standard: connection ports as shown
Optional: 3 other port positions possible

You can also download the 3D CAD data on the SP website:
▶ www.schwarzer.com/download



Customising Examples

Customising without compromises is extremely important to us. We develop precision pumps in direct collaboration with our customers - with all parameters exactly adapted to the respective application. Thanks to the modular pump design, this is done without added development-related costs! We develop the ideal pump for you. Uncompromising and reliable.



We care.

Installation Notes

In order to minimise noise and vibration we recommend securing the pump in one of the following ways:

- with rubber mounting (see "Accessories")
- with padded double sided adhesive tape
- with Velcro (hook and loop) tape for easy assembly and service
- Put the pump in a box lined with foam. Motor wires and tubing for the pump can lead through a hole in the side of the box.

Accessories

Schwarzer Precision offers a comprehensive portfolio of pump accessories such as:

- mountings
- silencers + filters
- electronics
- check valves + pressure switches

For further information please consider the accessories data sheet or contact us for technical consultation.

► [Download PDF "Accessories"](#)

You can also download the PDF "Accessories" on our website:

► www.schwarzer.com/accessories



Am Lichtbogen 7 • 45141 Essen • Germany
Phone: +49 201 31697-0 • Fax: +49 201 31697-29
e-mail: info@schwarzer.com • <http://www.schwarzer.com>