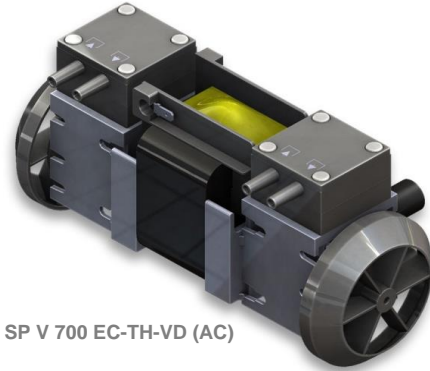
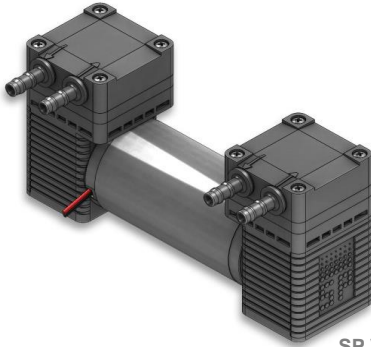


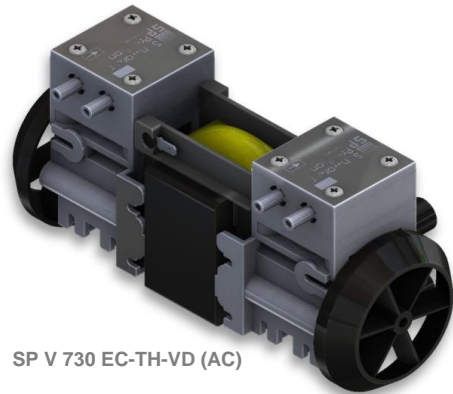
SP V 700 EC-TH-VD (DC)



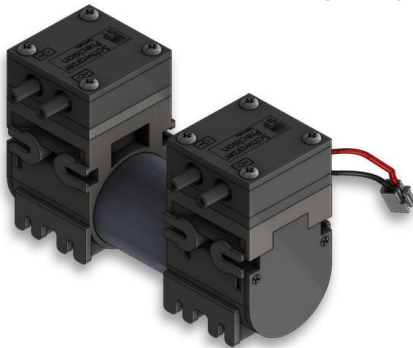
SP V 700 EC-TH-VD (AC)



SP V 725 EC-TH-DV (DC)



SP V 730 EC-TH-VD (AC)



SP V 730 EC-TH-VD (DC)

We care.

Customised Pumps - No Additional Costs!

Product Features

- Miniature diaphragm pump for gases
- Optimized for vacuum or pressure applications
- High efficiency and available in common supply voltages
- Various drives available
- Low weight and small size
- Applicable for noise- and vibration-sensitive environments
- Installation in any mounting orientation allows simple device integration
- Leak-tight, oil-free and maintenance-free

Application Examples

Particularly suitable for stationary devices such as:

- Gas analysers
- Anaesthesia monitoring
- Auto samplers
- Exhaust or flue gas analyzers
- Blood pressure monitoring
- Industrial pressure and vacuum
- Pipetting devices

and many more...

Customisation

- We offer your customised precision pump without additional costs - even for small batches
- Our modular concept allows easy adaptations
- Outstanding quality - Made in Germany
- Excellent technical consultation and service by experts
- More than 40 years experience in pump applications
- Manifold mounting
- Fast delivery - order your sample now!



Schwarzer
Precision

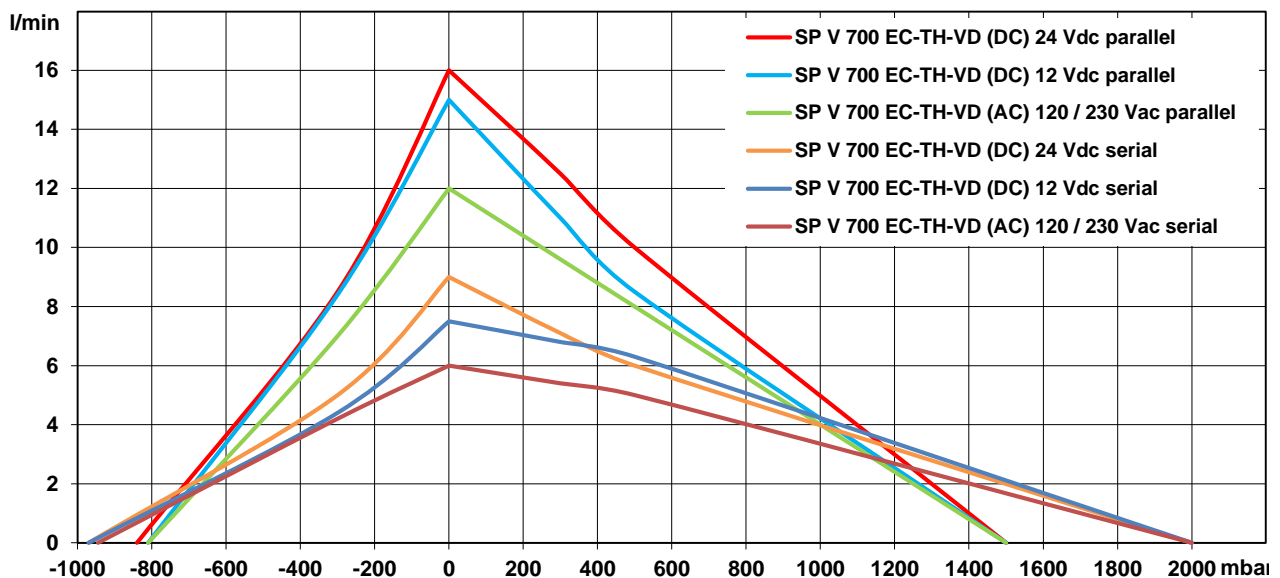
Am Lichtbogen 7 • 45141 Essen • Germany
Phone: +49 201 31697-0 • Fax: +49 201 31697-29
e-mail: info@schwarzer.com • <http://www.schwarzer.com>



The pumps listed below represent a typical selection of our wide range of eccentric pumps and are intended for initial tests. **Customised versions** for your individual application would be made without additional costs - please contact us! All flow values given under norm conditions (according to DIN 1343). Optional materials can cause deviating performance values.

Designation	SP V 700 EC-TH-VD (DC)				SP V 700 EC-TH-VD (AC)			
Operating Voltage	12 Vdc		24 Vdc		230 Vac (50 Hz)		120 Vac (60 Hz)	
Art. No.	7e53033		7e53032		7e53030		7e53031	
Pneumatic Performance								
Free Flow [l/min]	serial 7.5	parallel 15.0	serial 9.0	parallel 16.0	serial 6.0	parallel 12.0	serial 6.0	parallel 12.0
Pressure Side								
Flow at 300 mbar [l/min]	6.8	11.0	7.1	12.5	5.4	9.6	5.4	9.6
Flow at 500 mbar [l/min]	6.3	8.5	6.0	10.0	5.0	8.0	5.0	8.0
max. Pressure [mbar]	2000	1500	2000	1500	2000	1500	2000	1500
Vacuum Side								
Flow at -300 mbar [l/min]	4.4	8.4	5.0	8.5	4.2	7.0	4.2	7.0
max. Vacuum [mbar]	-970	-810	-970	-840	-945	-810	-945	-810
Motor / Power Consumption								
Standard Motor Type	iron core / ball bearings				shaded pole / ball bearings			
max. Nominal Current [mA]	2000		1000		420		950	
Power consumption [W]	25		25		59		71	
Optional Motor Type	-				-			
Construction								
Pump Head	standard				PPS			
	optional				Nylon			
Diaphragm	standard				FKM			
	optional				EPDM			
Valves	standard				FKM			
	optional				-			
Weight [g]	780				1800			

Performance Curves





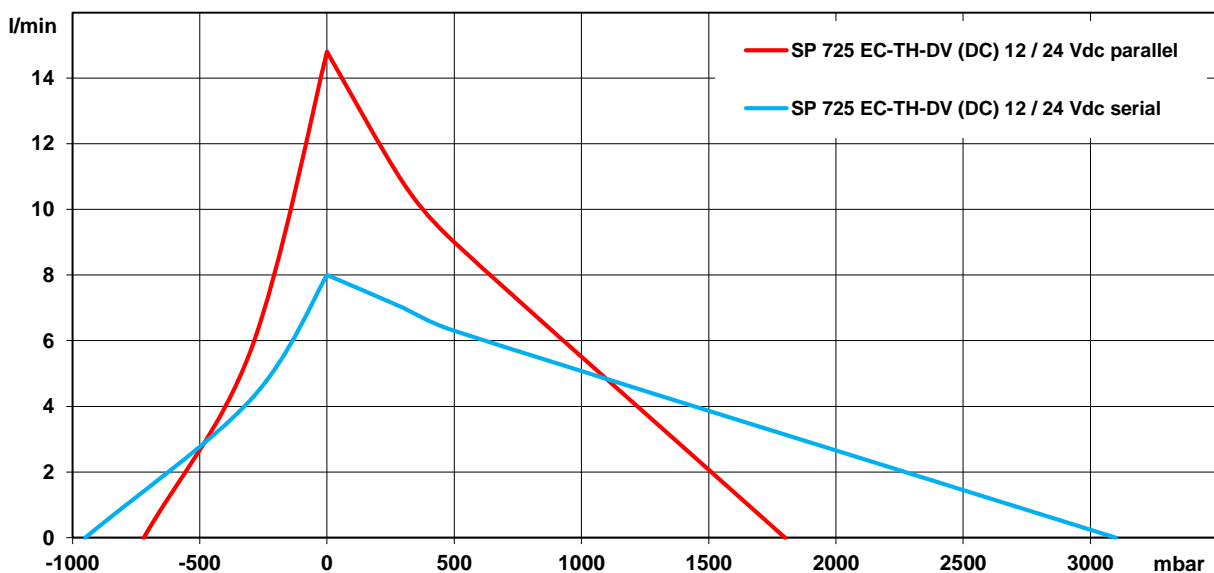
The pumps listed below represent a typical selection of our wide range of eccentric pumps and are intended for initial tests.

Customised versions for your individual application would be made without additional costs - please contact us!

All flow values given under norm conditions (according to DIN 1343). Optional materials can cause deviating performance values.

Designation		SP 725 EC-TH-DV (DC)			
Operating Voltage		12 Vdc		24 Vdc	
Art. No.		7s54070		7s54071	
Pneumatic Performance					
Free Flow [l/min]		serial 8.0	parallel 14.8	serial 8.0	parallel 14.8
Pressure Side					
Flow at 300 mbar [l/min]		7.0	10.8	7.0	10.8
Flow at 500 mbar [l/min]		6.3	9.0	6.3	9.0
max. Pressure [mbar]		3100	1800	3100	1800
Vacuum Side					
Flow at -300 mbar [l/min]		4.2	5.7	4.2	5.7
max. Vacuum [mbar]		-950	-720	-950	-720
Motor / Power Consumption					
Standard Motor Type		iron core / ball bearings			
max. Nominal Current [mA]		1500	1900	900	1100
Optional Motor Type		-			
Construction					
Pump Head	standard optional	PPS customer specific - upon request			
Diaphragm	standard optional	EPDM FKM			
Valves	standard optional	FKM -			
Weight [g]		850			

Performance Curves

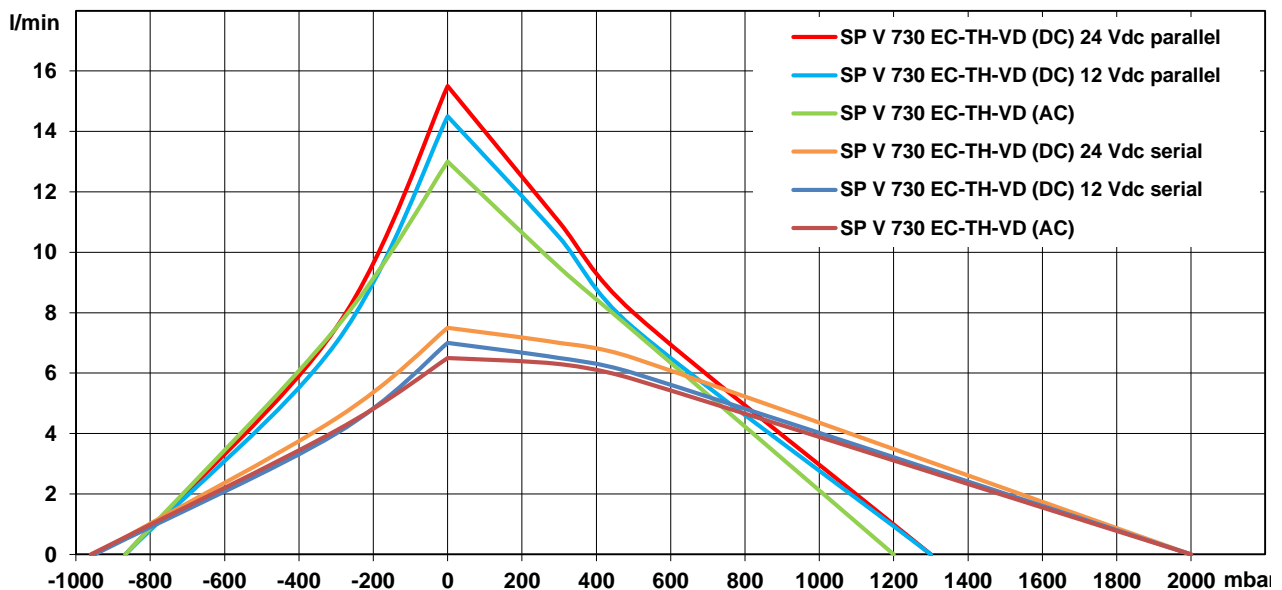




The pumps listed below represent a typical selection of our wide range of eccentric pumps and are intended for initial tests. **Customised versions** for your individual application would be made without additional costs - please contact us! All flow values given under norm conditions (according to DIN 1343). Optional materials can cause deviating performance values.

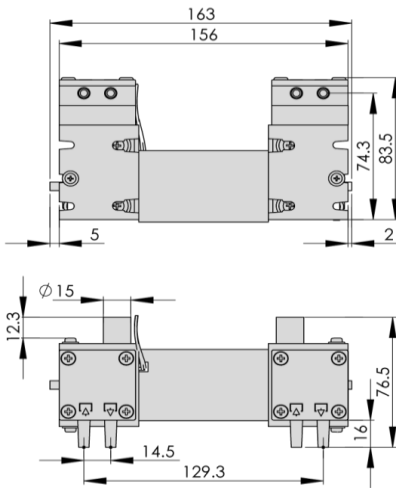
Designation	SP V 730 EC-TH-VD (DC)				SP V 730 EC-TH-VD (AC)					
Operating Voltage	12 Vdc		24 Vdc		24 Vac (50-60 Hz)		120 Vac (60 Hz)		230 Vac (50 Hz)	
Art. No.	7e53094		7e53095		7e53096		7e53097		7e53098	
Pneumatic Performance										
Free Flow [l/min]	serial 7.0	parallel 14.5	serial 7.5	parallel 15.5	serial 6.5	parallel 13	serial 6.5	parallel 13	serial 6.5	parallel 13
Pressure Side										
Flow at 300 mbar [l/min]	6.5	10.5	7.0	11.0	6.3	9.5	6.3	9.5	6.3	9.5
Flow at 500 mbar [l/min]	6.0	7.5	6.5	8.0	5.8	7.4	5.8	7.4	5.8	7.4
max. Pressure [mbar]	2000	1300	2000	1300	2000	1200	2000	1200	2000	1200
Vacuum Side										
Flow at -300 mbar [l/min]	4.0	7.0	4.5	7.5	4.1	7.5	4.1	7.5	4.1	7.5
max. Vacuum [mbar]	-950	-867	-950	-867	-960	-867	-960	-867	-960	-867
Motor / Power Consumption										
Standard Motor Type	iron core / ball bearings				shaded pole / ball bearings					
max. Nominal Current [mA]	1000		600		n/a		n/a		400	
Power Consumption [W]	-		-		n/a		n/a		88	
Optional Motor Type	-				-					
Construction										
Pump Head	standard					PPS				
	optional					-				
Diaphragm, Valves	standard					FKM				
	optional					-				
IP-Protection	IP 20				IP 00					
Insulation Class	Class E				Class B					
Thermal Switch	-				120°C					
Weight [g]	760				1640					

Performance Curves



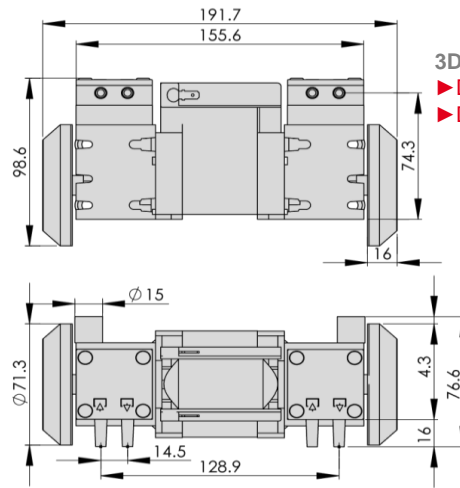


SP V 700 EC-TH-VD (DC)



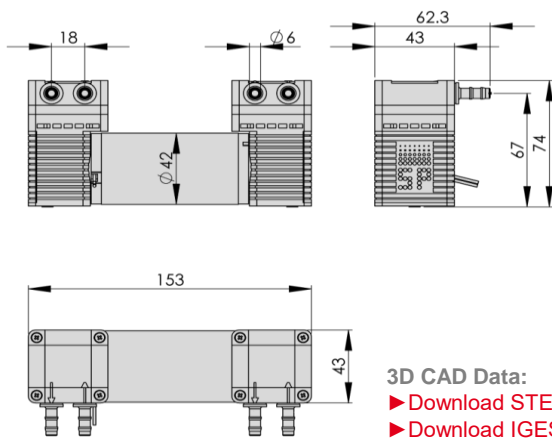
3D CAD Data:
 ▶ Download STEP
 ▶ Download IGES

SP V 700 EC-TH-VD (AC)



3D CAD Data:
 ▶ Download STEP
 ▶ Download IGES

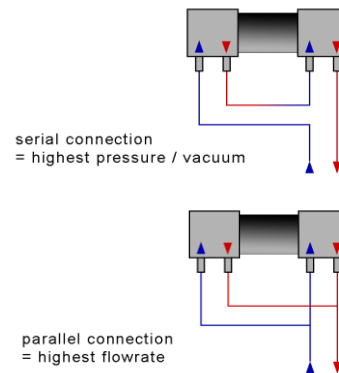
SP 725 EC-TH-DV (DC)



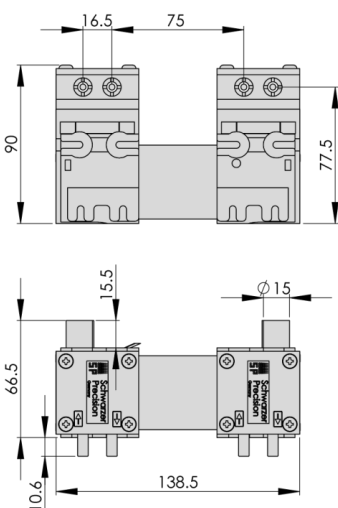
3D CAD Data:
 ▶ Download STEP
 ▶ Download IGES

Standard: connection ports as shown
 Optional: 3 other port positions possible

You can also download the 3D CAD data on the SP website:
 ▶ www.schwarzer.com/download

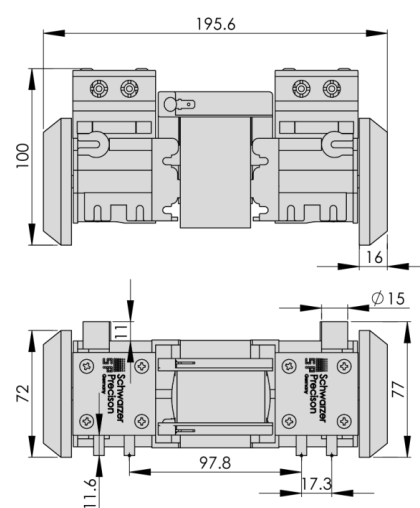


SP V 730 EC-TH-VD (DC)



3D CAD Data:
 ▶ Download STEP
 ▶ Download IGES

SP V 730 EC-TH-VD (AC)



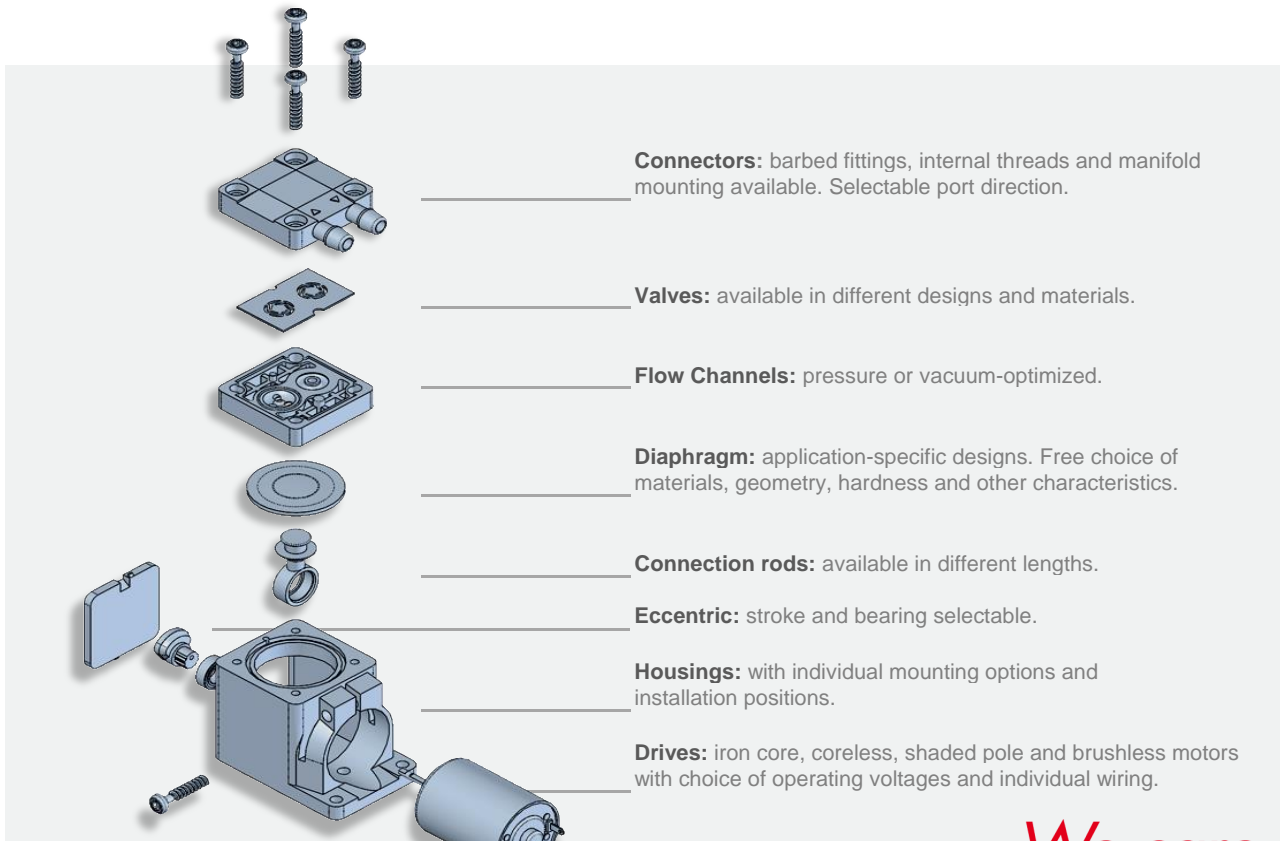
3D CAD Data:
 ▶ Download STEP
 ▶ Download IGES





Customising Examples

Customising without compromises is extremely important to us. We develop precision pumps in direct collaboration with our customers - with all parameters exactly adapted to the respective application. Thanks to the modular pump design, this is done without added development-related costs! We develop the ideal pump for you. Uncompromising and reliable.



We care.

Installation Notes

In order to minimise noise and vibration we recommend securing the pump in one of the following ways:

- with rubber mounting (see "Accessories")
- with padded double sided adhesive tape
- with Velcro (hook and loop) tape for easy assembly and service
- Put the pump in a box lined with foam. Motor wires and tubing for the pump can lead through a hole in the side of the box.

Accessories

Schwarzer Precision offers a comprehensive portfolio of pump accessories such as:

- mountings
- silencers + filters
- electronics
- check valves + pressure switches

For further information please consider the accessories data sheet or contact us for technical consultation.

► [Download PDF "Accessories"](#)

You can also download the PDF "Accessories" on our website:

► www.schwarzer.com/accessories

