



SP 135 FZ
SP 140 FZ

Product Features

- micro vane pump for air and gas
- applicable as vacuum pump or pressure pump
- electric motor driven
- available in various voltages
- minimal current consumption
- linear characteristic
- oil free / maintenance free
- reduced vibrations
- low noise
- extremely small pocket size
- lightweight (13,5 g)

Applications

- Gas sampler / gas measurement / gas metering
- Portable gas detector pump for safety devices
- Patient monitoring / patient analysers
- Personal Gas Detector / Gas Monitor
- Exhaust gas analyser
- Pneumatics
- Pipetting devices
- Fuel cells



Schwarzer
Precision

Am Lichtbogen 7 • 45141 Essen • Germany
Phone: +49 201 31697-0 • Fax: +49 201 31697-29
e-mail: info@schwarzer.com • <http://www.schwarzer.com>



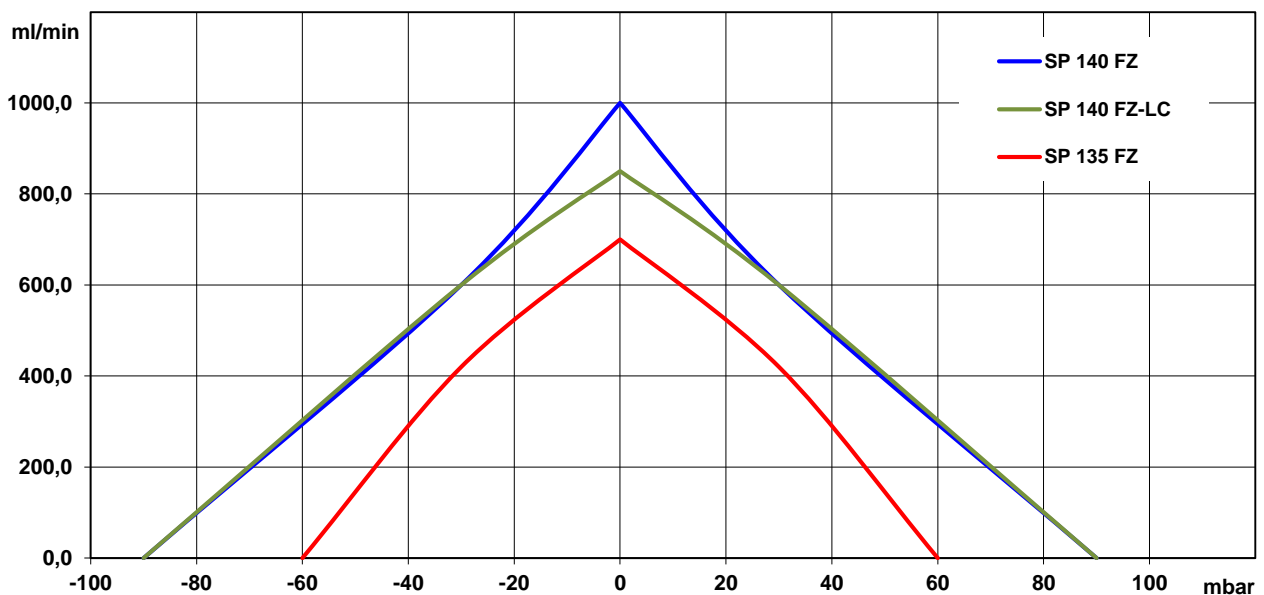
SP 135 FZ / 140 FZ

These pumps are our standard models. For special requirements we are offering customised versions. Please contact us!

Designation	SP 135 FZ		SP 140 FZ			SP 140 FZ-LC
Operating Voltage	3 Vdc	4,5 Vdc	4,5 Vdc	6 Vdc	12 Vdc	4,5 Vdc
Art.-No.	7s60044	7s60045	7s60085	7s60083	7s60084	7s60046
Pneumatic Performance *						
Free Flow [ml/min]	700	700	1000	1000	1000	850
flow at:						
30 mbar [ml/min]	420	420	600	600	600	600
max. Pressure [mbar]	60	60	90	90	90	90
flow at:						
-30 mbar [ml/min]	420	420	600	600	600	600
max. Vacuum [mbar]	-60	-60	-90	-90	-90	-90
Motor / Power Consumption						
Motor Type	Skew Wound DC		Skew Wound DC			Iron Core
max. nom. Current [mA]	130	90	180	170	150	130
Construction						
Body and moving parts	Resin bound Graphite and Tecapeek					
Weight [g]	12,3		13,5			11,5

* Note: 10 µm filtration required at pump inlet for optimal performance!

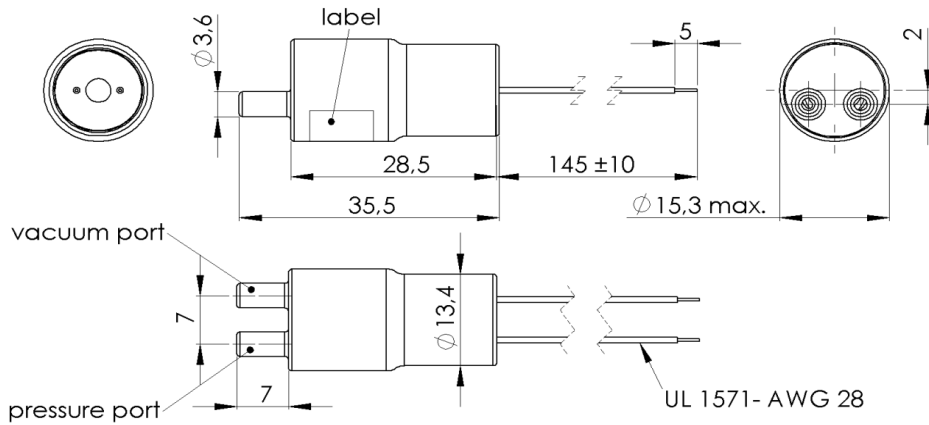
Performance Curve



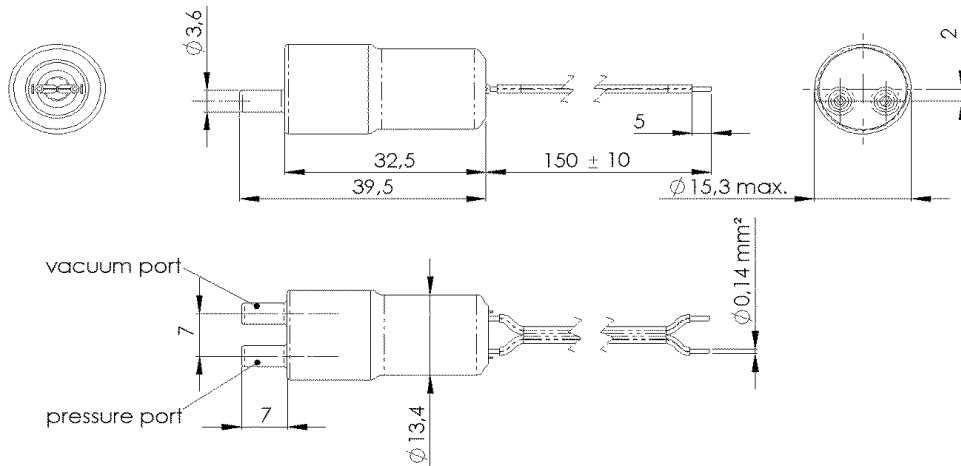


SP 135 FZ / 140 FZ

SP 135 FZ / 140 FZ



SP 140 FZ-LC



Rubber Mounting

Art. No. 5.22.16

