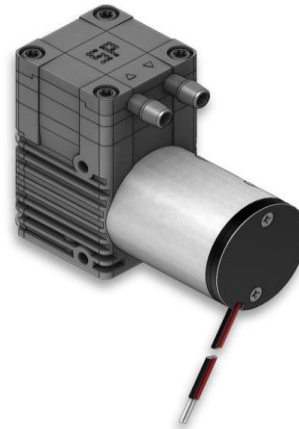
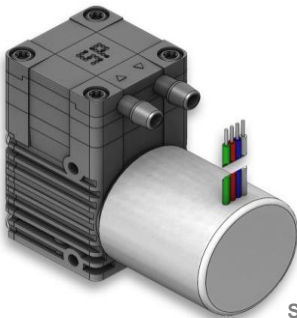




SP 570 EC-LC-L



SP 570 EC-L



SP 570 EC-BL-L

We care.

Customised Pumps - No Additional Costs!

Product Features

- Micro diaphragm pump for liquids
- Chemical resistant versions available
- From low-cost to durable brush-less drives
- Low weight and extremely small size
- Applicable for noise- and vibration-sensitive environments
- Self-priming
- Installation in any mounting orientation allows simple device integration
- Oil-free and maintenance-free
- Optional inlet pulsation damper

Application Examples

- Industrial applications
- Medical applications
- Laboratory applications
- Analytical applications
- Cooling and heating
- Cleaning and disinfection
- Inkjet printers and reprography
- Fuel cells

and many more...

Customisation

- We offer your customised precision pump without additional costs - even for small batches
- Outstanding quality
- Excellent technical consultation and service by experts
- More than 40 years experience in pump applications
- Fast delivery - order your sample now!

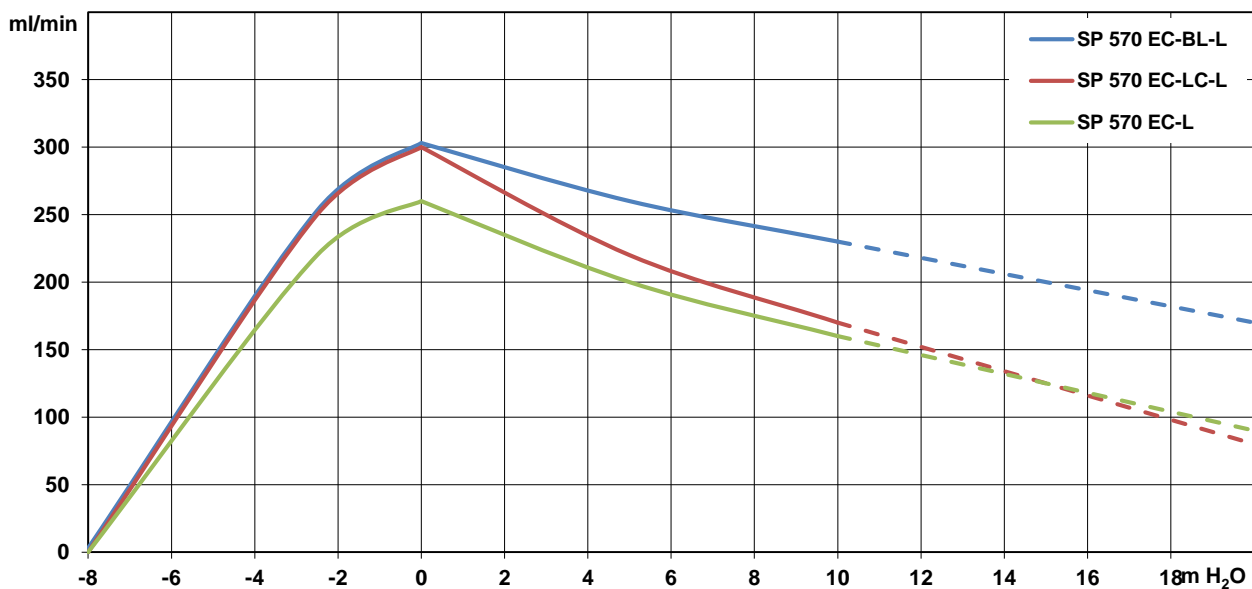


SP 570 EC-L

The pumps listed below represent a typical selection of our wide range of eccentric pumps and are intended for initial tests. **Customised versions** for your individual application would be made without additional costs - please contact us! All flow values given under norm conditions (according to DIN 1343). Optional materials can cause deviating performance values.

Designation	SP 570 EC-LC-L		SP 570 EC-L		SP 570 EC-BL-L	
Operating Voltage [Vdc]	6	12	12	24	12	24
Art.No.	7s58060	7s58061	7s58070	7s58071	7s58090	7s58091
Hydraulic Performance (measured with water at 20°C)						
Free Flow [ml/min]	300	300	260	260	300	300
Pressure Side						
Flow at 5 m H ₂ O [ml/min]	220	220	200	200	260	260
Flow at 10 m H ₂ O [ml/min]	170	170	160	160	230	230
max. Pressure Height [m H ₂ O]	10.0	10.0	10.0	10.0	10.0	10.0
Although the pumps are able to produce pressure above 10 m H ₂ O, it is not recommended to exceed this limit!						
Vacuum Side						
Flow at -2.5 m H ₂ O [ml/min]	250	250	220	220	250	250
max. Suction Height (filled system) [m H ₂ O]	-8.0	-8.0	-8.0	-8.0	-8.0	-8.0
max. Vacuum (dry) [mbar]	-300	-300	-300	-300	-450	-450
Motor / Power Consumption						
Standard Motor	iron core / sintered bearings		skew wound / ball bearings		brushless, analog or PWM control / ball bearings	
max. Nominal Current [mA]	550	300	150	100	350	200
Optional Motor Type	-		-		brushless, constant speed or without internal electronics	
Construction						
Pump Head	standard	PPS				
	optional	customer specific (upon request)				
Diaphragm, Valves	standard	EPDM				
	optional	FKM / Silicone / FFKM / special compounds on request				
Weight [g]	55		80		60	

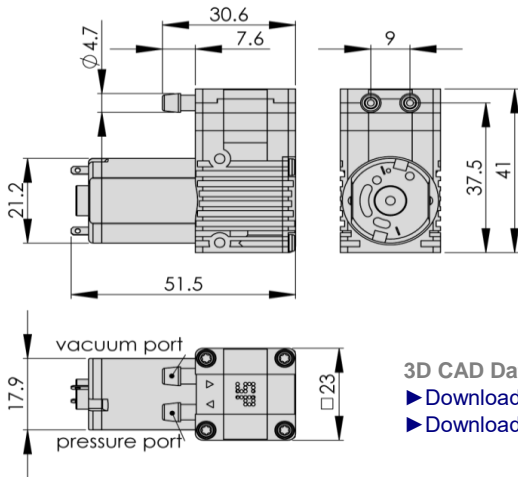
Performance Curves



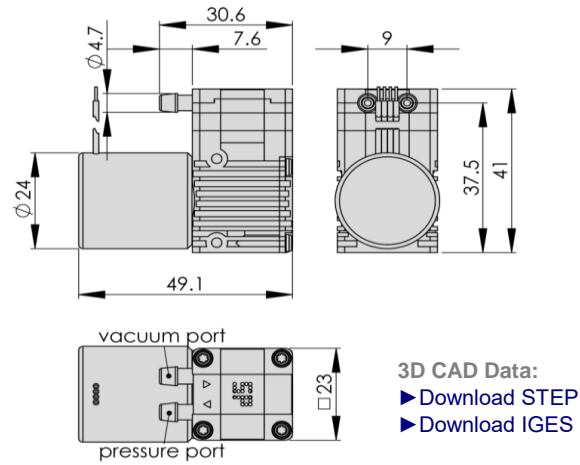
Am Lichtbogen 7 • 45141 Essen • Germany
 Phone: +49 201 31697-0 • Fax: +49 201 31697-29
 e-mail: info@schwarzer.com • <http://www.schwarzer.com>



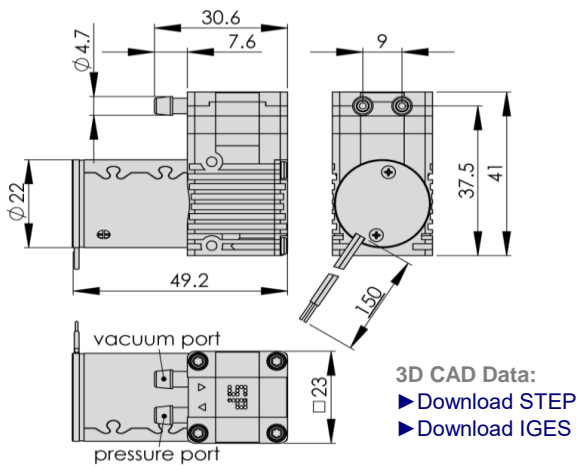
SP 570 EC-LC-L



SP 570 EC-BL-L



SP 570 EC-L



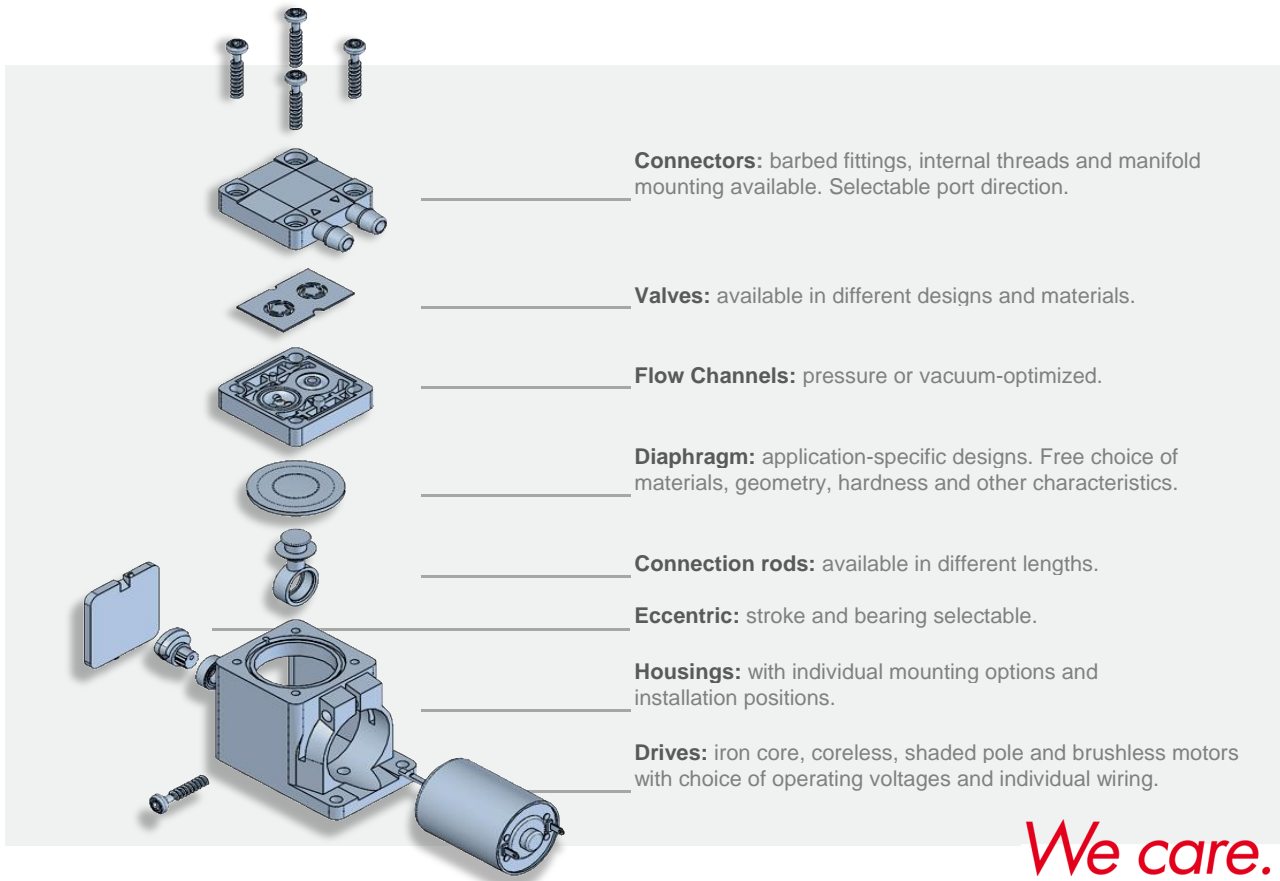
Standard: connection ports as shown
Optional: 3 other port positions possible

You can also download the 3D CAD data on the SP website:
▶ www.schwarzer.com/download



Customising Examples

Customising without compromises is extremely important to us. We develop precision pumps in direct collaboration with our customers - with all parameters exactly adapted to the respective application. Thanks to the modular pump design, this is done without added development-related costs! We develop the ideal pump for you. Uncompromising and reliable.



We care.

Installation Notes

In order to minimise noise and vibration we recommend securing the pump in one of the following ways:

- with rubber mounting (see "Accessories")
- with padded double sided adhesive tape
- with Velcro (hook and loop) tape for easy assembly and service
- Put the pump in a box lined with foam. Motor wires and tubing for the pump can lead through a hole in the side of the box.

Accessories

Schwarzer Precision offers a comprehensive portfolio of pump accessories such as:

- mountings
- silencers + filters
- electronics
- check valves + pressure switches

For further information please consider the accessories data sheet or contact us for technical consultation.

► [Download PDF "Accessories"](#)

You can also download the PDF "Accessories" on our website: ► www.schwarzer.com/accessories



Am Lichtbogen 7 • 45141 Essen • Germany
Phone: +49 201 31697-0 • Fax: +49 201 31697-29
e-mail: info@schwarzer.com • <http://www.schwarzer.com>