

MPG-60 series

DIGITAL PRESSURE GAUGE



Mindman



Features

- 6 user programmable pressure units (kPa, MPa, kgf/cm², psi, bar, mmHg) available.
- Battery powered.
- Easy / fast read out with digital display.
- Power saving mode.
- Back light option.
- IP65 enclosure, dust and splash-proof.

Specification

Model	Vacuum		Positive	
	MPG-60V	MPG-60V-L	MPG-60P	MPG-60P-L
Rate / display pressure range	0 ~ -101 kPa / 10 ~ -101 kPa		0 ~ 1 MPa / -0.1 ~ 1 MPa	
Proof pressure	300 kPa		1.5 MPa	
Fluid	Filtered air, Non-corrosive gases, incombustible gases			
Set pressure resolution	kPa / MPa	1 / -	- / 0.001	
	kgf/cm ² / bar	- / 0.01	0.01	
	psi	0.1	0.1	
	mmHg	1	-	
Battery / Battery replaceable	CR 2032 lithium / Yes			
Battery life	3 years (5 times/day)	1 years (5 times/day)	3 years (5 times/day)	1 year (5 times/day)
Low-power indicator	Yes			
Back light	No	Yes	No	Yes
Turn-on interval	Display turn off after 60 sec.			
Sampling rate	2 Hz (2 times/sec.)			
Programmable pressure unit	psi, bar mmHg, kPa user selectable		psi, bar, kgf/cm ² , MPa user selectable	
Repeatability	≤ ±1% F.S. ±1digit		≤ ±0.2% F.S. ±1digit	
LCD display	7 segment, 3 1/2 digit			
Indicator accuracy	≤ ±2% F.S. ±1 digit (Ambient temperature: 25 ±3 °C)			
Environment	Enclosure	IP65 (Air tube must be installed to maintain IP65)		
	Ambient temp. range	Operation: 0 ~ 50°C, storage : -10 ~ 60°C (No condensation or freezing)		
	Ambient humidity range	Operation/Storage: 35 ~ 85% RH (No condensation)		
	Vibration	Total amplitude 1.5mm or 10G, 10Hz-55Hz-10Hz scan for 1 minute, two hours each direction of X, Y and Z		
	Shock	100m/s ² (10G), 3 times each in direction of X, Y and Z		
Temperature characteristic	≤±2% F.S. of detected pressure (25°C) at temp. Range of 0~50°C			
Weight	Approx. 40 g			

Order example

MPG — 60 P — L — F1

MODEL

PRESSURE RANGE
V: Vacuum
P: Positive

BACK LIGHT

Blank: Back light unavailable
L: Back light available

PRESSURE PORT

F1: R1/8", M5
F2: NPT1/8", #10-32 UNF
F3: G1/8", M5
F4: R1/4", M5
F5: NPT1/4", #10-32 UNF
F6: G1/4", M5

Mounting accessories

MP — A5

MODEL

OPTION PARTS

A5: Mounting bracket (BT-5)
A6: Mounting bracket (BT-6)
B2: Panel adapter (PA-C)
C2: Panel adapter + Front protective lid (PA-D)

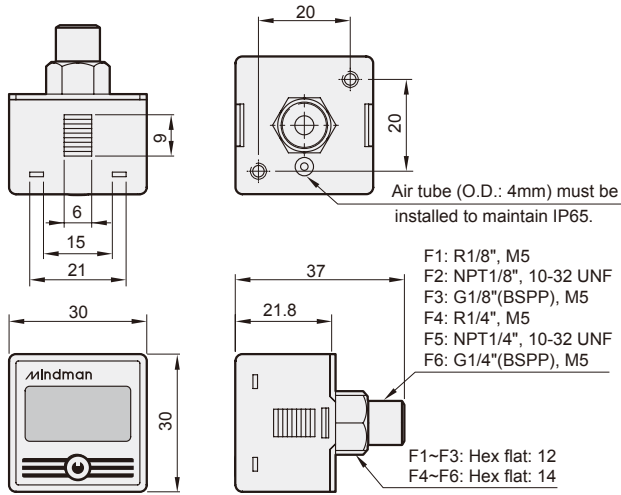


MPG-60 Dimensions

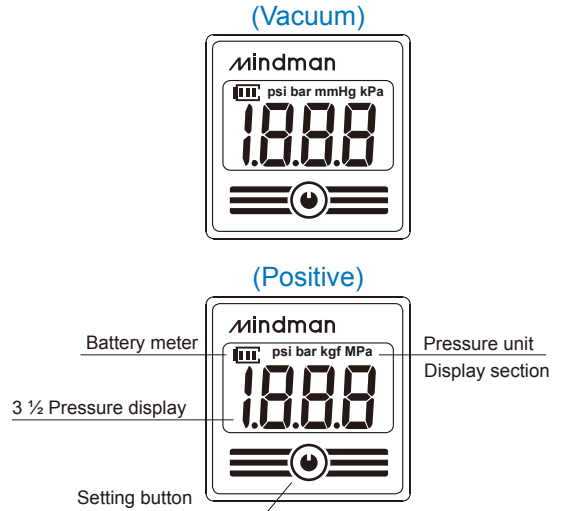
DIGITAL PRESSURE GAUGE



Dimensions

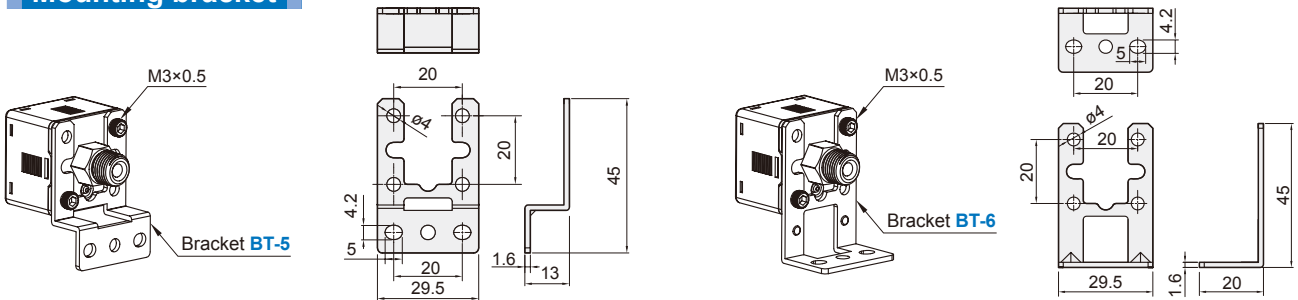


Panel instructions



Mounting accessories

Mounting bracket



Panel type

