



SP 270 EC Liquid

The pumps listed on this data sheet represent a cross-section of the large number of possibilities for each pump type. Based on our modular pump design, all pumps can be customised exactly to meet the needs of your application - within days and at standard pricing. Please contact us for details.



SP 270 EC-L
coreless motor



SP 270 EC-LC-L
iron core motor



SP 270 EC-BLa-L
brushless motor

Product Features

- Chemical resistant versions available
- Smallest size and low weight
- Suitable for any mounting orientation
- Oil-free, maintenance-free
- Self-priming
- Low vibration and sound level

Typical Applications

- Fuel cells
- Cleaning and disinfection
- Inkjet printing



SP 270 EC Liquid

TYPE	SP 270 EC-L		
Operating Voltage [Vdc]	3	5	12
Art. No.	7s55157	7s55158	7s55159
max. Nominal Current [mA]	350	200	100
PERFORMANCE			
max. Flow [ml/min]	100	100	100
max. Pressure [m H ₂ O]	10	10	10
max. Suction Height [m H ₂ O]	-3,0	-3,0	-3,0
max. Vacuum (dry) [mbar]	-300	-300	-300
MOTOR			
Standard Motor	coreless		
Standard Bearings	sintered bearings		
Motor Connection	2 wires		
Optional Motor	n/a		
Optional Bearings	ball bearings		
MATERIALS			
Standard Pump Head	PPS		
Optional Pump Head	customer specific (upon request)		
Standard Diaphragm	EPDM		
Optional Diaphragm	FKM / customer specific (upon request)		
Standard Valves	EPDM		
Optional Valves	FKM / customer specific (upon request)		
Standard Gaskets	EPDM		
Optional Gaskets	FKM / customer specific (upon request)		
HYDRAULIC CONNECTION			
Standard Connectors	barbed connectors		
Optional Connectors	manifold		
DIMENSIONS + WEIGHT			
Dimensions [mm] W x H x L	16 x 25,1 x 38		
Weight [g]	29		

Flow values are subject to the standard conditions specified in DIN 1343. The use of other materials may cause deviations in performance values.

The technical data shown on this data sheet represents the typical mean values achieved by the products in our standard testing procedure.

All data provided is for information only and does not represent production values.

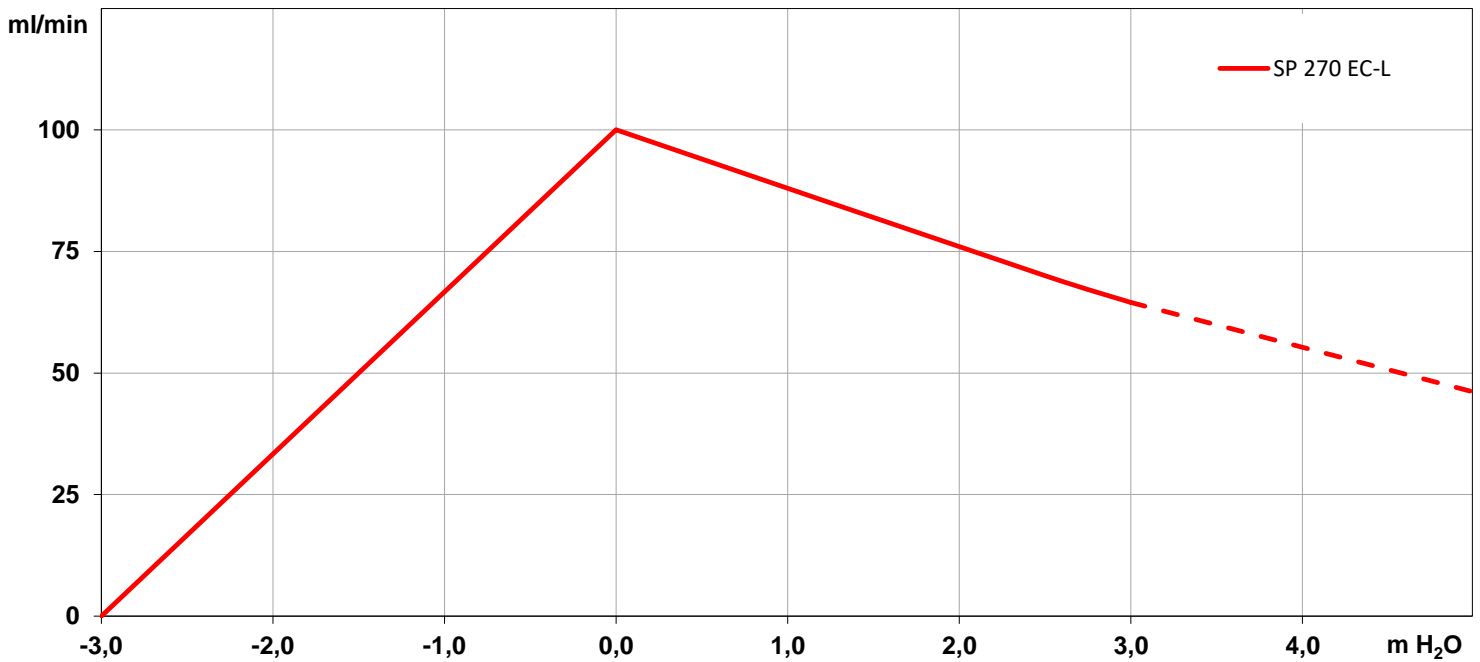
Standard products are subject to change without notice.

12.06.2021

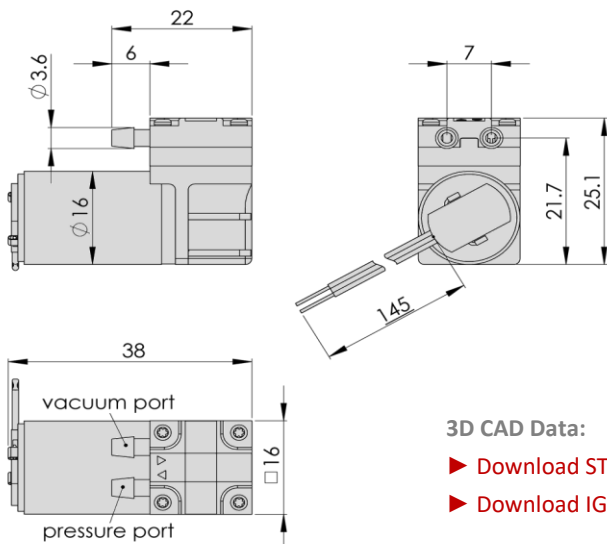


SP 270 EC Liquid

PERFORMANCE DIAGRAM | SP 270 EC-L



DRAWING | SP 270 EC-L



Drawing shows standard orientation of pneumatic connectors.
(3 alternative orientations possible)

3D CAD Data:

- ▶ [Download STEP](#)
- ▶ [Download IGES](#)

You can also download the 3D CAD files from the SP website:
▶ www.schwarzer.com/download

All data provided is for information only and does not represent production values.
Standard products are subject to change without notice.

12.06.2021



SP 270 EC Liquid

TYPE	SP 270 EC-LC-L			SP 270 EC-BLa-L
Operating Voltage [Vdc]	3	5	12	12
Art. No.	7s55160	7s55161	7s55156	7s55155
max. Nominal Current [mA]	350	250	100	250
PERFORMANCE				
max. Flow [ml/min]	100	100	100	100
max. Pressure [m H ₂ O]	10	10	10	10
max. Suction Height [m H ₂ O]	-3,0	-3,0	-3,0	-3,0
max. Vacuum (dry) [mbar]	-300	-300	-300	-300
MOTOR				
Standard Motor	iron core			brushless for analogue control
Standard Bearings	sintered bearings			ball bearings
Motor Connection	soldering lugs			6 wires with plug
Optional Motor	n/a			brushless for PWM control
Optional Bearings	n/a			n/a
MATERIALS				
Standard Pump Head	PPS			
Optional Pump Head	customer specific (upon request)			
Standard Diaphragm	EPDM			
Optional Diaphragm	FKM / customer specific (upon request)			
Standard Valves	EPDM			
Optional Valves	FKM / customer specific (upon request)			
Standard Gaskets	EPDM			
Optional Gaskets	FKM / customer specific (upon request)			
HYDRAULIC CONNECTION				
Standard Connectors	barbed connectors			
Optional Connectors	manifold			
DIMENSIONS + WEIGHT				
Dimensions [mm] W x H x L	16 x 26,1 x 36,8			16 x 25,1 x 37
Weight [g]	25			23

Flow values are subject to the standard conditions specified in DIN 1343. The use of other materials may cause deviations in performance values.

The technical data shown on this data sheet represents the typical mean values achieved by the products in our standard testing procedure.

All data provided is for information only and does not represent production values.

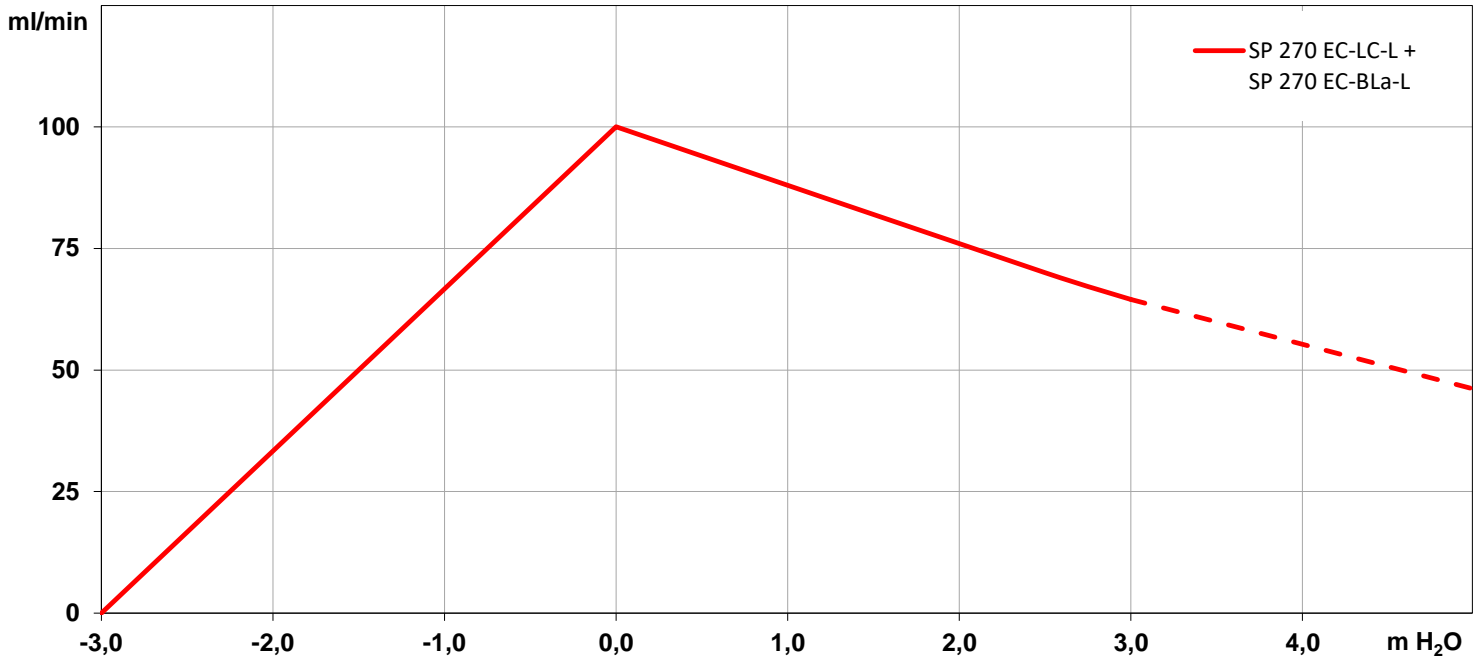
Standard products are subject to change without notice.

12.06.2021

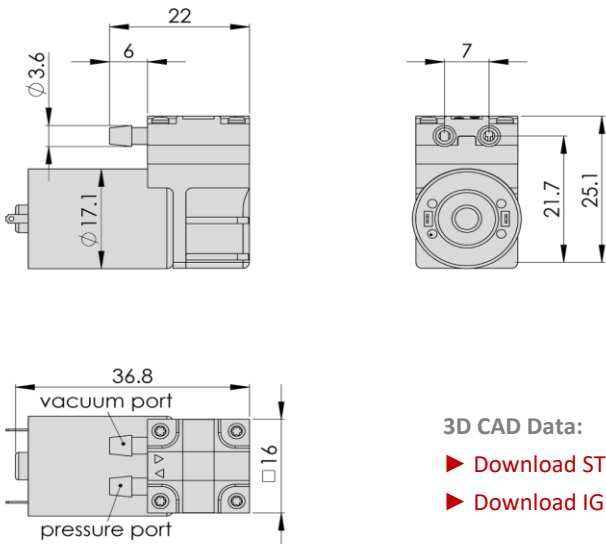


SP 270 EC Liquid

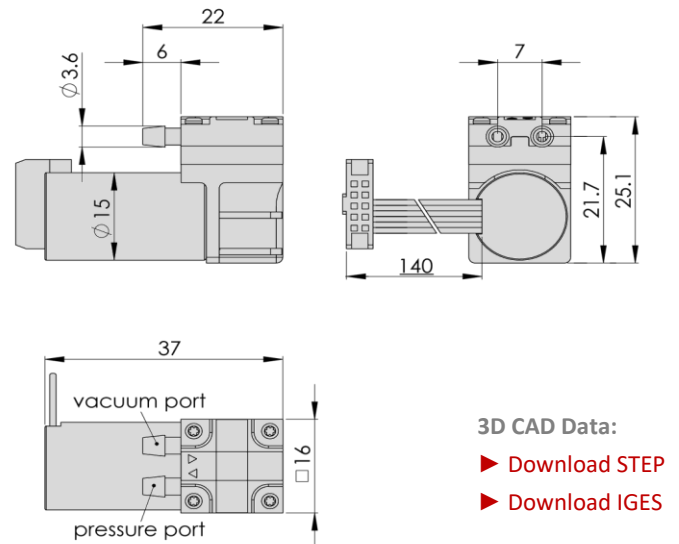
PERFORMANCE DIAGRAM | SP 270 EC-LC-L • SP 270 EC-BLa-L



DRAWING | SP 270 EC-LC-L



DRAWING | SP 270 EC-BLa-L



Drawing shows standard orientation of pneumatic connectors (3 alternative orientations possible).

You can also download the 3D CAD files from the SP website: ▶ www.schwarzer.com/download

All data provided is for information only and does not represent production values.

Standard products are subject to change without notice.

12.06.2021