



## SP 620 EC - SP 628 EC Dual Head Liquid

The pumps listed on this data sheet represent a cross-section of the large number of possibilities for each pump type. Based on our modular pump design, all pumps can be customised exactly to meet the needs of your application - within days and at standard pricing. Please contact us for details.



SP 620 EC-DUp-L



SP 628 EC-DUp-L

### Product Features

- Chemical resistant versions available
- Small size and low weight
- Suitable for any mounting orientation
- Oil-free, maintenance-free
- Self-priming
- Low vibration and sound level

### Typical Applications

- Fuel cells
- Kidney dialysis
- Laboratory analysis
- Pipetting
- Cleaning and disinfection
- Inkjet printing



# SP 620 EC - SP 628 EC Dual Head Liquid

TYPE	SP 620 EC-DUp-L		SP 628 EC-DUp-L	
Operating Voltage [Vdc]	12	24	12	24
Art. No.	7s57308	7s57309	7s57318	7s57319
max. Nominal Current [mA]	1000	600	1100	600
<b>PERFORMANCE</b>				
max. Flow [ml/min]	1100	1100	1400	1400
max. Pressure [m H <sub>2</sub> O]	10	10	15	15
max. Suction Height [m H <sub>2</sub> O]	-9	-9	-9	-9
max. Vacuum (dry) [mbar]	-600	-600	-600	-600
<b>MOTOR</b>				
Standard Motor	iron core			
Standard Bearings	ball bearings			
Motor Connection	2 wires	soldering lugs / flat connectors		
Optional Motor	n/a			
Optional Bearings	n/a			
<b>MATERIALS</b>				
Standard Pump Head	PPS			
Optional Pump Head	customer specific (upon request)			
Standard Diaphragm	EPDM			
Optional Diaphragm	FKM / FFKM / PTFE			
Standard Valves	EPDM			
Optional Valves	FKM / FFKM / customer specific (upon request)			
Standard Gaskets	EPDM			
Optional Gaskets	FKM / FFKM / customer specific (upon request)			
<b>HYDRAULIC CONNECTION</b>				
Standard Connectors	barbed connectors			
Optional Connectors	n/a			
<b>DIMENSIONS + WEIGHT</b>				
Dimensions [mm] W x H x L	31 x 69,1 x 90		31 x 69,1 x 114	
Weight [g]	230		320	

Flow values are subject to the standard conditions specified in DIN 1343. The use of other materials may cause deviations in performance values.

The technical data shown on this data sheet represents the typical mean values achieved by the products in our standard testing procedure.

All data provided is for information only and does not represent production values.

Standard products are subject to change without notice.

26.05.2021

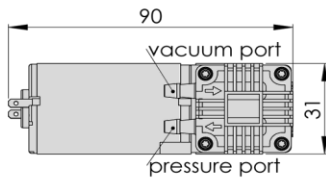
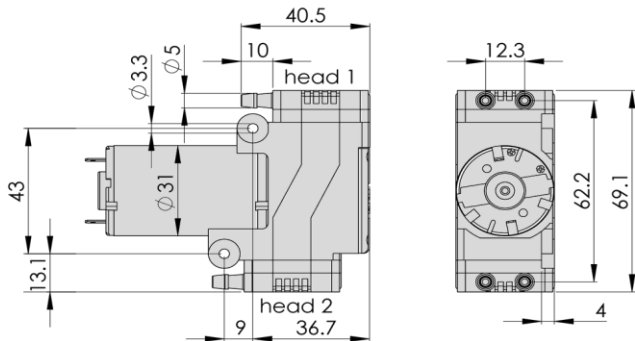


# SP 620 EC - SP 628 EC Dual Head Liquid

## PERFORMANCE DIAGRAM | SP 620 EC-DUp-L - SP 628 EC-DUp-L



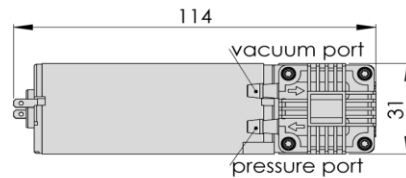
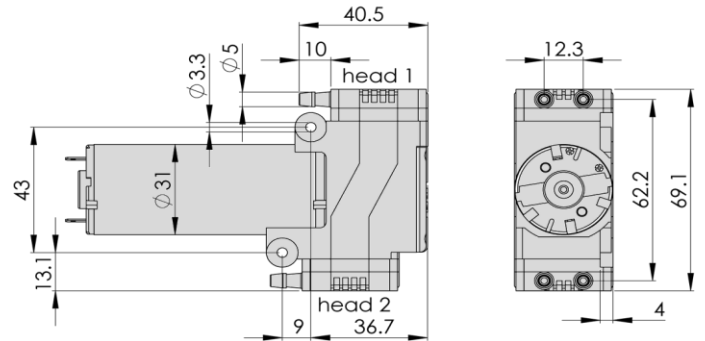
## DRAWING | SP 620 EC-DUp-L



3D CAD Data:

- ▶ Download STEP
- ▶ Download IGES

## DRAWING | SP 628 EC-DUp-L



3D CAD Data:

- ▶ Download STEP
- ▶ Download IGES

Drawing shows standard orientation of pneumatic connectors (3 alternative orientations possible).

You can also download the 3D CAD files from the SP website: [▶ www.schwarzer.com/download](http://www.schwarzer.com/download)

All data provided is for information only and does not represent production values.

Standard products are subject to change without notice.

26.05.2021