



SP 720 EC ▪ SP 725 EC Liquid

The pumps listed on this data sheet represent a cross-section of the large number of possibilities for each pump type. Based on our modular pump design, all pumps can be customised exactly to meet the needs of your application - within days and at standard pricing. Please contact us for details.



SP 725 EC-L (DC)
DC motor



SP 720 EC-L (AC)
AC motor

Product Features

- Chemical resistant versions available
- Small size and low weight
- Suitable for any mounting orientation
- Oil-free, maintenance-free
- Self-priming
- Low vibration and sound level

Typical Applications

- Fuel cells
- Kidney dialysis
- Laboratory analysis
- Pipetting
- Cleaning and disinfection
- Inkjet printing



SP 720 EC - SP 725 EC Liquid

TYPE	SP 725 EC-L (DC)		SP 720 EC-L (AC)
Operating Voltage [Vdc]	12	24	-
Operating Voltage [Vac]	-	-	230
Frequency [Hz]	-	-	50
Art. No.	7s54037	7s54038	7s54011
max. Nominal Current [mA]	2500	900	400
PERFORMANCE			
max. Flow [ml/min]	1050	1050	700
max. Pressure [m H ₂ O]	15	15	15
max. Suction Height [m H ₂ O]	-6,5	-6,5	-6,5
max. Vacuum (dry) [mbar]	-700	-700	-700
MOTOR			
Standard Motor	iron core		shaded pole
Standard Bearings	ball bearings		ball bearings
Motor Connection	2 wires		soldering lugs / flat connectors
Optional Motor	n/a		n/a
Optional Bearings	n/a		n/a
MATERIALS			
Standard Pump Head	PPS		
Optional Pump Head	customer specific (upon request)		
Standard Diaphragm	EPDM		
Optional Diaphragm	FKM / customer specific (upon request)		
Standard Valves	EPDM		
Optional Valves	FKM / customer specific (upon request)		
Standard Gaskets	EPDM		
Optional Gaskets	FKM / customer specific (upon request)		
HYDRAULIC CONNECTION			
Standard Connectors	barbed connectors		
Optional Connectors	n/a		
DIMENSIONS + WEIGHT			
Dimensions [mm] W x H x L	43 x 74,5 x 106		65 x 95,4 x 121
Weight [g]	570		858

Flow values are subject to the standard conditions specified in DIN 1343. The use of other materials may cause deviations in performance values. The technical data shown on this data sheet represents the typical mean values achieved by the products in our standard testing procedure. All data provided is for information only and does not represent production values.

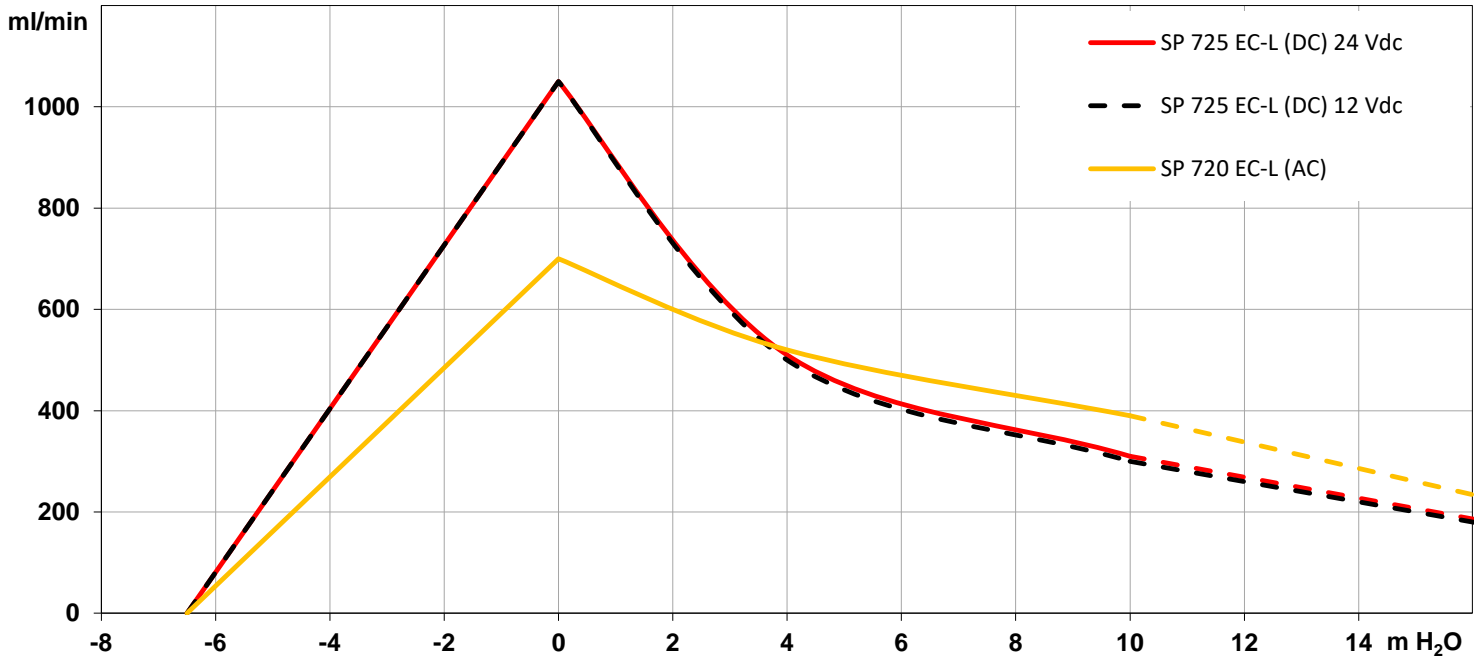
Standard products are subject to change without notice.

26.05.2021



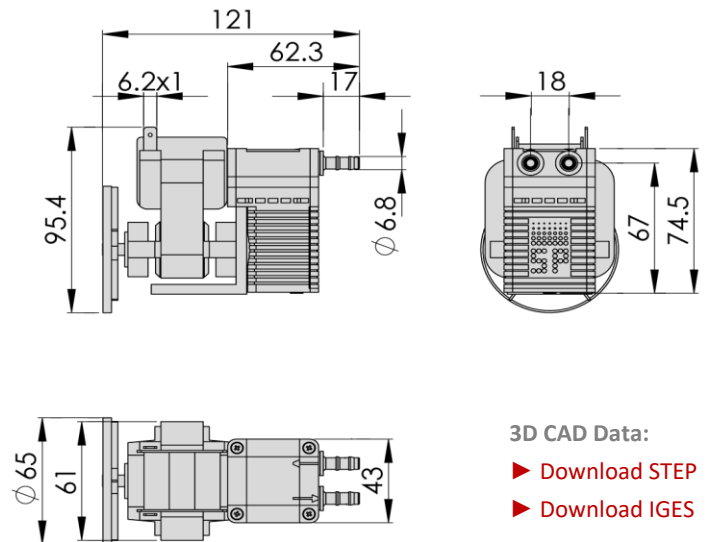
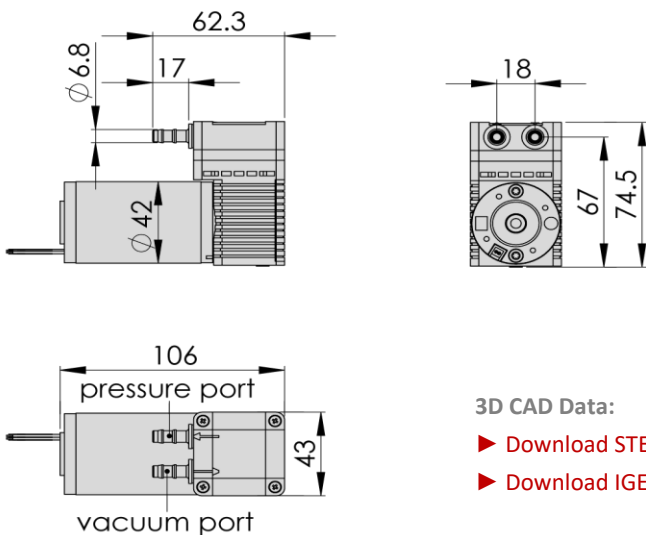
SP 720 EC - SP 725 EC Liquid

PERFORMANCE DIAGRAM | SP 725 EC-L (DC) - SP 720 EC-L (AC)



DRAWING | SP 725 EC-L (DC)

DRAWING | SP 720 EC-L (AC)



Drawing shows standard orientation of pneumatic connectors (3 alternative orientations possible).

You can also download the 3D CAD files from the SP website: [▶ www.schwarzer.com/download](http://www.schwarzer.com/download)

All data provided is for information only and does not represent production values.

Standard products are subject to change without notice.

26.05.2021