

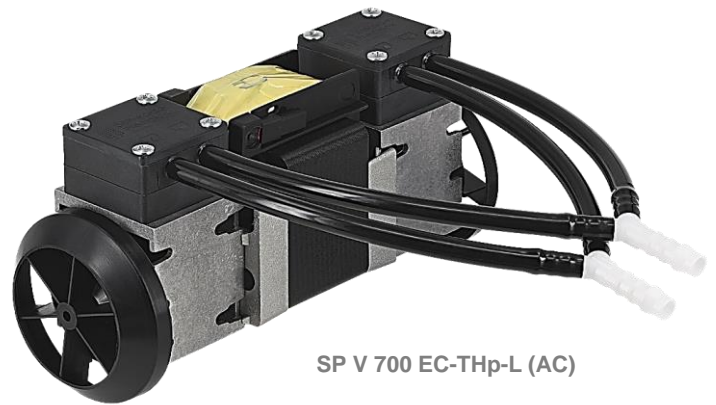


## SP V 700 EC Twin Head Liquid

The pumps listed on this data sheet represent a cross-section of the large number of possibilities for each pump type. Based on our modular pump design, all pumps can be customised exactly to meet the needs of your application - within days and at standard pricing. Please contact us for details.



SP V 700 EC-THp-L (DC)



SP V 700 EC-THp-L (AC)

### Product Features

- Chemical resistant versions available
- Small size and low weight
- Suitable for any mounting orientation
- Oil-free, maintenance-free
- Self-priming
- Low vibration and sound level

### Typical Applications

- Fuel cells
- Kidney dialysis
- Laboratory analysis
- Pipetting
- Cleaning and disinfection
- Inkjet printing



## SP V 700 EC Twin Head Liquid

TYPE	SP V 700 EC-THp-L (DC)	SP V 700 EC-THp-L (AC)
Operating Voltage [Vdc]	12	-
Operating Voltage [Vac]	-	230
Frequency [Hz]	-	50
Art. No.	7e53036	7e53039
max. Nominal Current [mA]	2000	420
<b>PERFORMANCE</b>		
max. Flow [ml/min]	1000	1100
max. Pressure [m H <sub>2</sub> O]	10	10
max. Suction Height [m H <sub>2</sub> O]	-4,5	-4,5
max. Vacuum (dry) [mbar]	(tba)	(tba)
<b>MOTOR</b>		
Standard Motor	iron core	shaded pole
Standard Bearings	ball bearings	ball bearings
Motor Connection	2 wires	soldering lugs / flat connectors
Optional Motor	n/a	n/a
Optional Bearings	n/a	n/a
<b>MATERIALS</b>		
Standard Pump Head	PPS	
Optional Pump Head	PA6	
Standard Diaphragm	FKM	
Optional Diaphragm	EPDM	
Standard Valves	FKM	
Optional Valves	n/a	
Standard Gaskets	FKM	
Optional Gaskets	n/a	
<b>HYDRAULIC CONNECTION</b>		
Standard Connectors	straight connectors	
Optional Connectors	n/a	
<b>DIMENSIONS + WEIGHT</b>		
Dimensions [mm] W x H x L	76,5 x 85 x 163	76,6 x 98,6 x 191,2
Weight [g]	780	1800

Flow values are subject to the standard conditions specified in DIN 1343. The use of other materials may cause deviations in performance values.

The technical data shown on this data sheet represents the typical mean values achieved by the products in our standard testing procedure.

All data provided is for information only and does not represent production values.

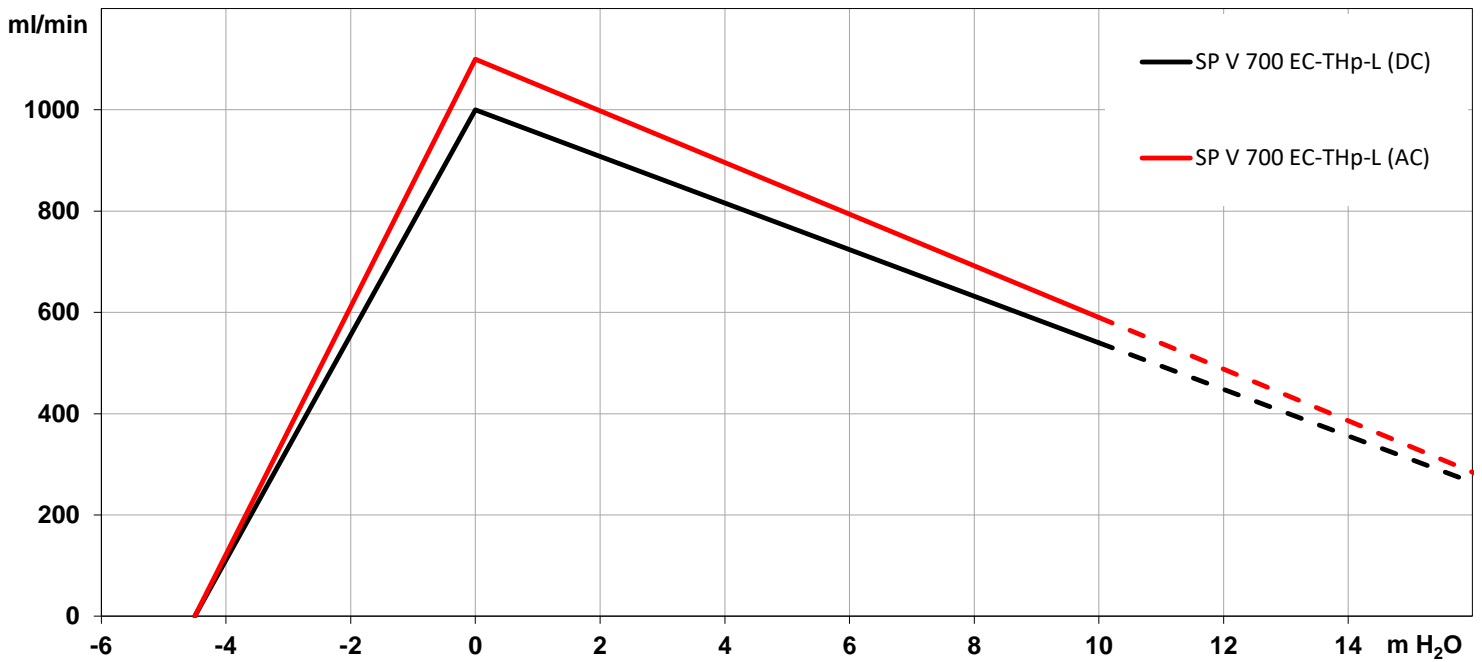
Standard products are subject to change without notice.

26.05.2021

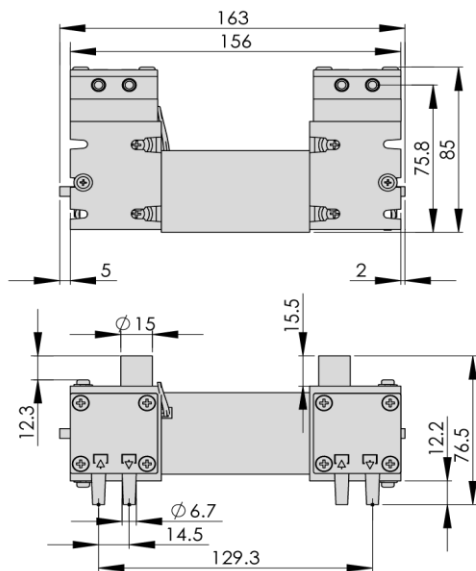


# SP V 700 EC Twin Head Liquid

## PERFORMANCE DIAGRAM | SP V 700 EC-THp-L



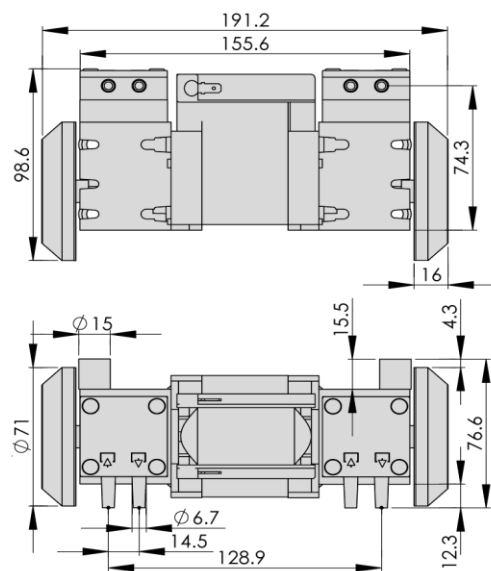
## DRAWING | SP V 700 EC-THp-L (DC)



3D CAD Data:

- ▶ Download STEP
- ▶ Download IGES

## DRAWING | SP V 700 EC-THp-L (AC)



3D CAD Data:

- ▶ Download STEP
- ▶ Download IGES

Drawing shows standard orientation of pneumatic connectors (3 alternative orientations possible)

You can also download the 3D CAD files from the SP website:

▶ [www.schwarzer.com/download](http://www.schwarzer.com/download)

All data provided is for information only and does not represent production values.

Standard products are subject to change without notice.

26.05.2021