

# MACP302 series

AIR UNIT (F.R.L.UNIT)



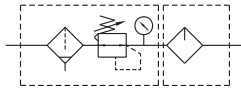
## Specification

Model	MACP302		
Components	MAFR302, MAL302		
Bore No.	8A	10A	15A
Port size	1/4	3/8	1/2
Medium	Air		
Operating pressure range (*)	0.05~1 MPa		
Proof pressure	1.5 MPa		
Regulated pressure range	0.05~0.85 MPa		
Ambient temperature	- 5~+60°C (No freezing)		
Filter element	Standard: 5μm, Option: 40μm		
Lubricating oil capacity	65c.c		
Min. flow for oil drip	50 l/min	60 l/min	
Recommended lubricating oil	Turbine oil ISO-VG32		
Attachment	Pressure gauge(PG-20),T-type bracket		
Weight	845 g		



Option: **MP41**

## Symbol



\* Standard unit contains semi-auto-drain function when operating pressure below 0.05 MPa.

\* Choose auto-drain FMRF300, the pressure range is 0.15~1 MPa.

## Order example

MACP302 – 8A – NC□□ – E1 – □ – T8 – □

MODEL

PORT SIZE

8A: 1/4  
10A: 3/8  
15A: 1/2

(Option)  
PRESSURE  
SWITCH

E1: MP41P-022  
E2: MP41P-022-QD  
E5: MP41P-042  
E6: MP41P-042-QD

\* Refer to page 5-13 for MP41.

FILTER  
ELEMENT

Blank: 5μm  
40u: 40μm

(Option)

BY-PASS PORT SIZE

T type bracket	T8: 1/4 T10: 3/8 T15: 1/2
Check valve	K8: 1/4 K10: 3/8

PORT THREAD

Blank: Rc thread  
G: G thread  
NPT: NPT thread

(Option)

Bowl	Pressure gauge	Drain valve	Flow direction
Blank: PC bowl M: Metal bowl N: Nylon bowl	Blank: Pressure gauge (PG-20) C: External pressure gauge (PG-40) + Gauge adapter set (A-MAR302) A: Gauge adapter set (A-MAR302)	Blank: Semi-auto drain D: Auto drain valve (FMRF300)	Blank: Left to right R: Right to left

\* PG-40 (C), A-MAR302 (A) and MP41 (E\*) can not be selected at the same time.

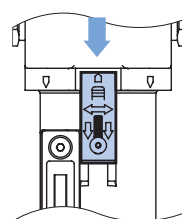
\* Be sure to use above check valves when redirecting the air flow on the inlet side of the lubricator.

## Caution

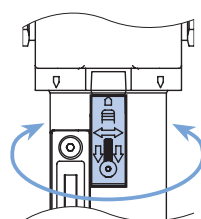
### Metal bowl

Before assembling or disassembling, push the lock plate down to the end, and confirm that is detached from the body then rotate the bowl, otherwise the lock plate will be deformed or the body will be scratched.

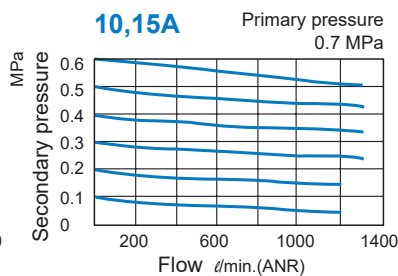
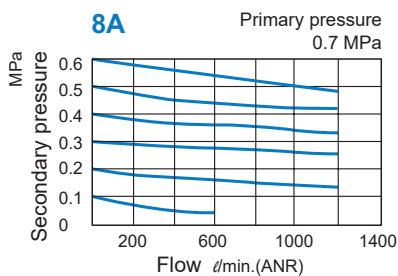
1. Sliding plate down



2. Rotating the bowl



## Flow feature

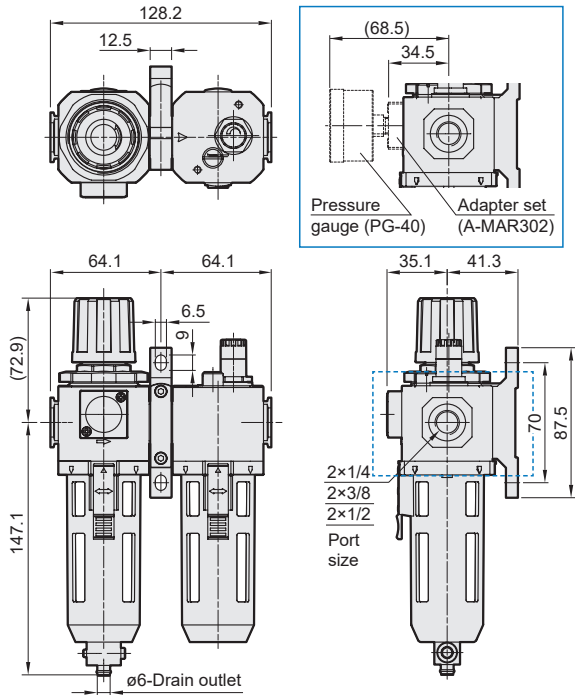


# MACP302 Dimensions

AIR UNIT (F.R.L.UNIT)

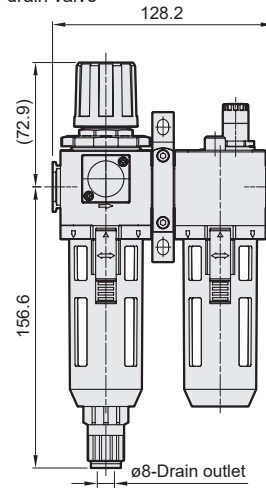


## Accessories



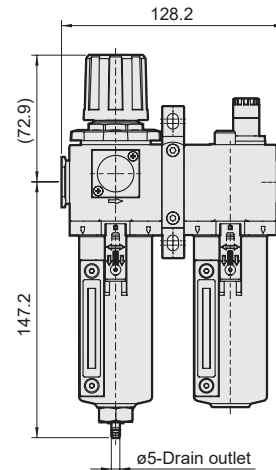
## MACP302-D

Auto drain valve



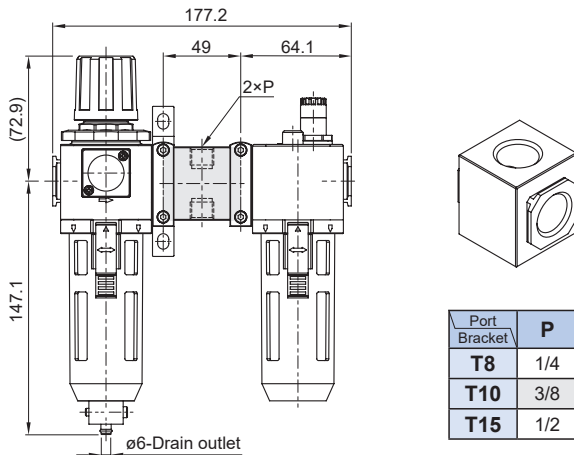
## MACP302-M

Metal bowl



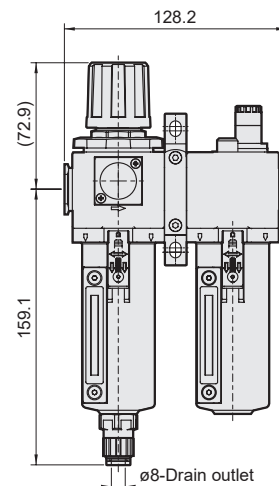
## MACP302-T\*

T type bracket



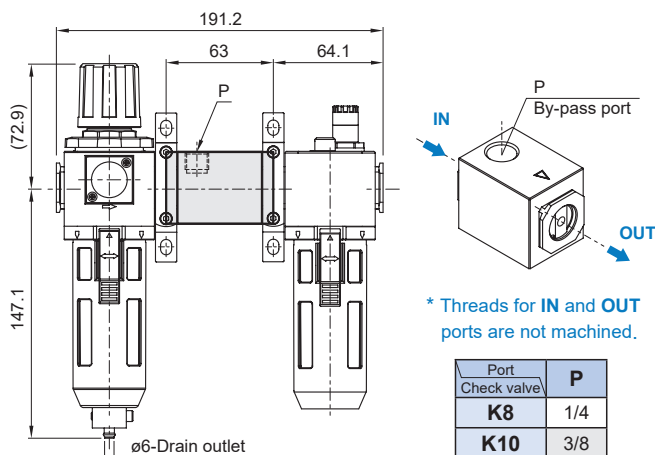
## MACP302-MD

Metal bowl + Auto drain valve



## MACP302-K\*

Check valve



# MACP302-HT With shutoff valve

**AIR UNIT (F.R.L.UNIT)**



## Order example

**MACP302 – 8A – NC□□ – E1 – □ – HT – □**

MODEL

PORT SIZE

8A: 1/4  
10A: 3/8  
15A: 1/2

(Option)  
PRESSURE  
SWITCH

E1: MP41P-022  
E2: MP41P-022-QD  
E5: MP41P-042

FILTER  
ELEMENT

Blank: 5µm  
40u: 40µm

SHUTOFF VALVE

HT: MVHT-302-3H

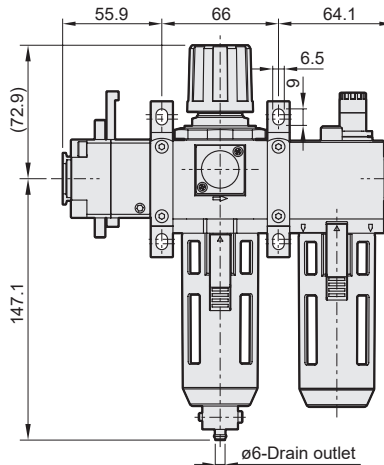
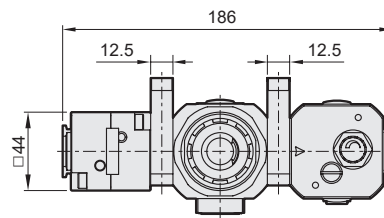
PORT THREAD

Blank: Rc thread  
G: G thread  
NPT: NPT thread

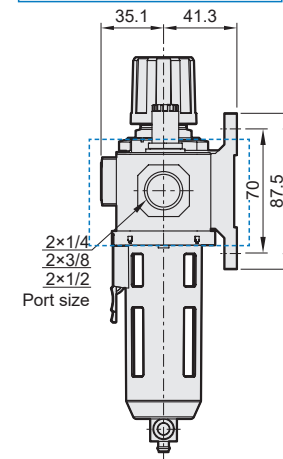
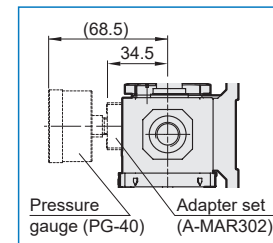
(Option)

<b>Bowl</b>
Blank: PC bowl M: Metal bowl N: Nylon bowl
<b>Pressure gauge</b>
Blank: Pressure gauge (PG-20) C: External pressure gauge (PG-40) + Gauge adapter set (A-MAR302) A: Gauge adapter set (A-MAR302)
<b>Drain valve</b>
Blank: Semi-auto drain D: Auto drain valve (FMR300)
<b>Flow direction</b>
Blank: Left to right R: Right to left

\* PG-40 (C), A-MAR302 (A) and MP41 (E\*) can not be selected at the same time.

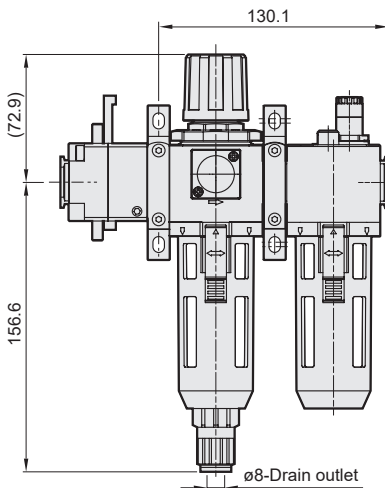


## Accessories



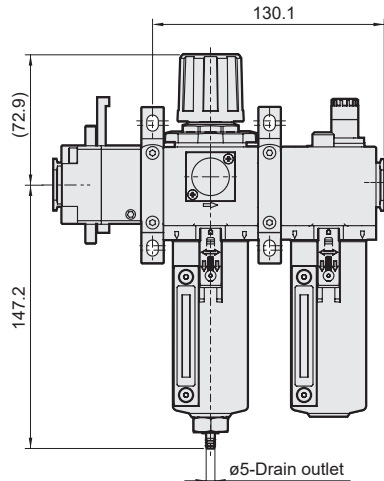
### MACP302-D

Auto drain valve



### MACP302-M

Metal bowl



### MACP302-MD

Metal bowl + Auto drain valve

